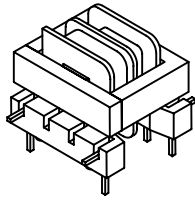


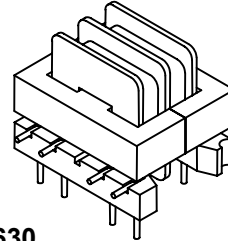


PULSE TRANSFORMERS

E19-H / E25 TYPES



74620
74621



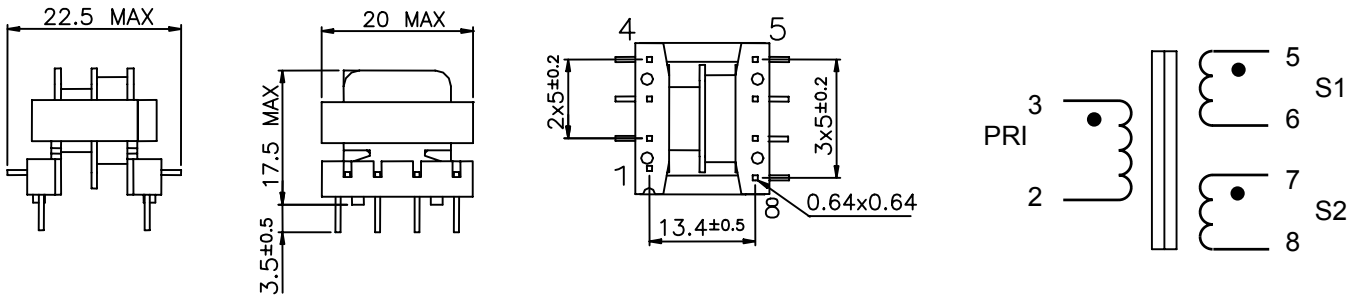
74630
74631

MYRRA Part N°	Ratio P/S1/S2	L pri. +/-30%	Current / winding max	Resistance / winding max	Pulse E x t Vpri max	square V / kHz Vpri max	C P/S max	Lleak P/S max	Insulation Voltage	
									P/ S	S1/S2
74620	1 / 1 / 1	3.2 mH	0.5 Arms	1.0 Ω	350 V.µs	0.6	5 pF	70 µH	2.5 kV	1.5 kV
74621	3 / 1 / 1	17 mH	0.3 Arms	2.0 Ω	800 V.µs	1.5	5 pF	400 µH	2.5 kV	1.5 kV
74630	1 / 1 / 1	2 mH	1 Arms	0.4 Ω	500 V.µs	0.8	7 pF	60 µH	2.5 kV	1.5 kV
74631	3 / 1 / 1	10 mH	0.45 Arms	0.8 Ω	1000 V.µs	1.7	7 pF	300 µH	2.5 kV	1.5 kV

Principally dedicated to SCR triggering
Designed for minimum coupling capacitance

SAFETY :
These products are only composed of UL-V0 approved materials.

74620 - 74621 Size E19-H

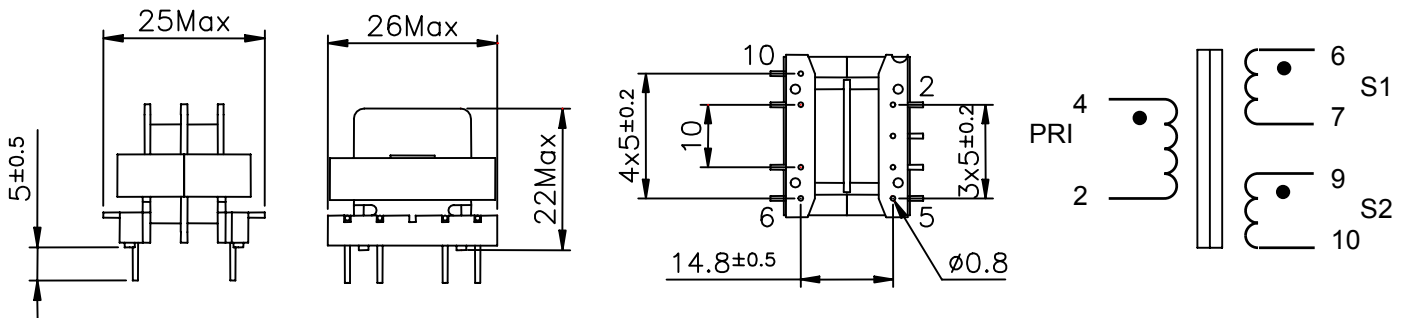


Pin 1 removed for locating

PCB drill @ Ø 1.3mm

Weight ≈ 12 g

74630 - 74631 Size E25



Pins 1 & 8 removed for locating

PCB drill @ Ø 1.3mm

Weight ≈ 20 g