

# NCP110 Series (Output: 24~420W) Approx.)

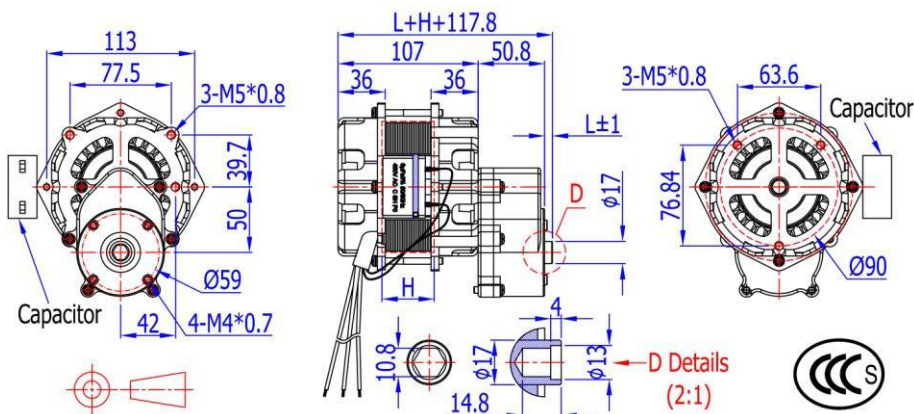
## Brief Introduction :

1. The rated voltage can be from 100V to 240VAC. The frequency can be either 50Hz, or 60Hz, or 50/60Hz.
2. The motor can be made of 2 poles, 4 poles, 6 poles, etc as needed. Single speed, 2 speeds, 3 speeds or 4 speeds are all available.
3. The standard shaft diameter (d) is  $\varnothing 8$ mm. It can be others, and with D-cuts, threads, etc.. Its length (L2) can be any as needed.
4. The stator height (H) can be any from 20mm to 50mm.
5. The bearing brackets (housing) can be made either by steel sheet or by zinc-aluminum alloy, with or without a mounting flange.
6. The rotor bearings can be of either sleeve bearings (bush) or ball bearings as needed to reach different lifetime.
7. The motor rotation can be either in CW or CCW direction as needed.
8. RoHS compliant is available.
9. The motor is CCC certified. **Certificate No.: 2017010401996939.**

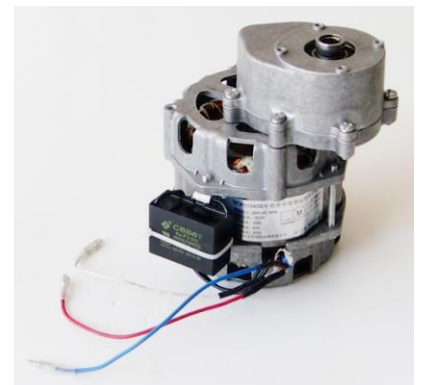
## Typical Application :

Oil Extractor, Industrial Fan, Blower, Floor Fan, Water Heater, Bath Heater, Washing Machine, Bread Maker, etc.

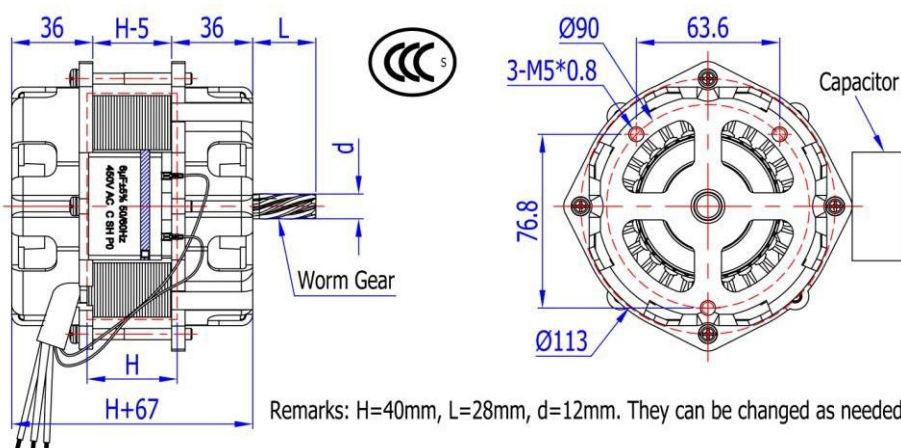
## Outline Dimensions (All dimensions in millimeter) :



Motor for **Oil Extractor** with a gearbox of **i=25**



Remarks: H=40mm. It can be changed as needed. L=6mm. It can be changed as needed.



Motor for **Oil Extractor** without gearbox



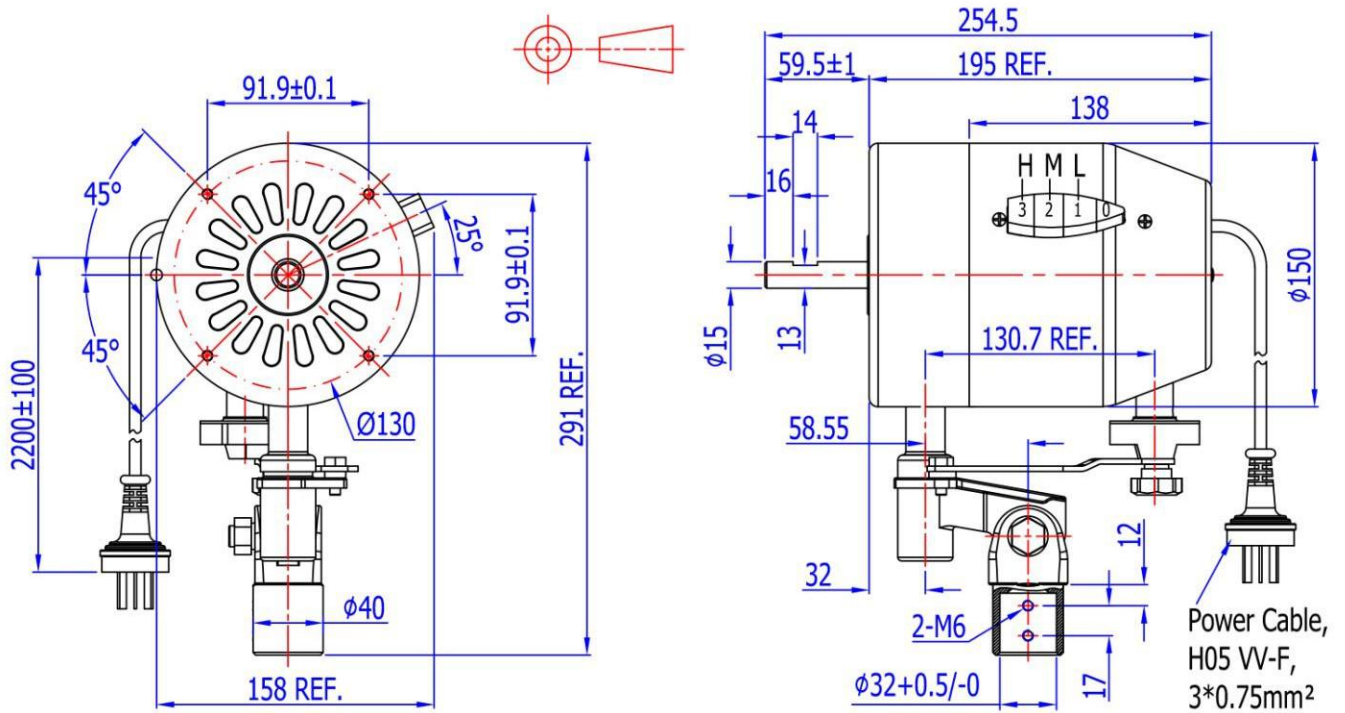
Remarks: H=40mm, L=28mm, d=12mm. They can be changed as needed.

Remarks: This catalog listed just some typical models. The performances as above are just for reference only. We can adjust our motor specifications according to what the customer needs. OEM & ODM are both welcome.

# NCP110 Series (Output: 24~420W) Approx.)

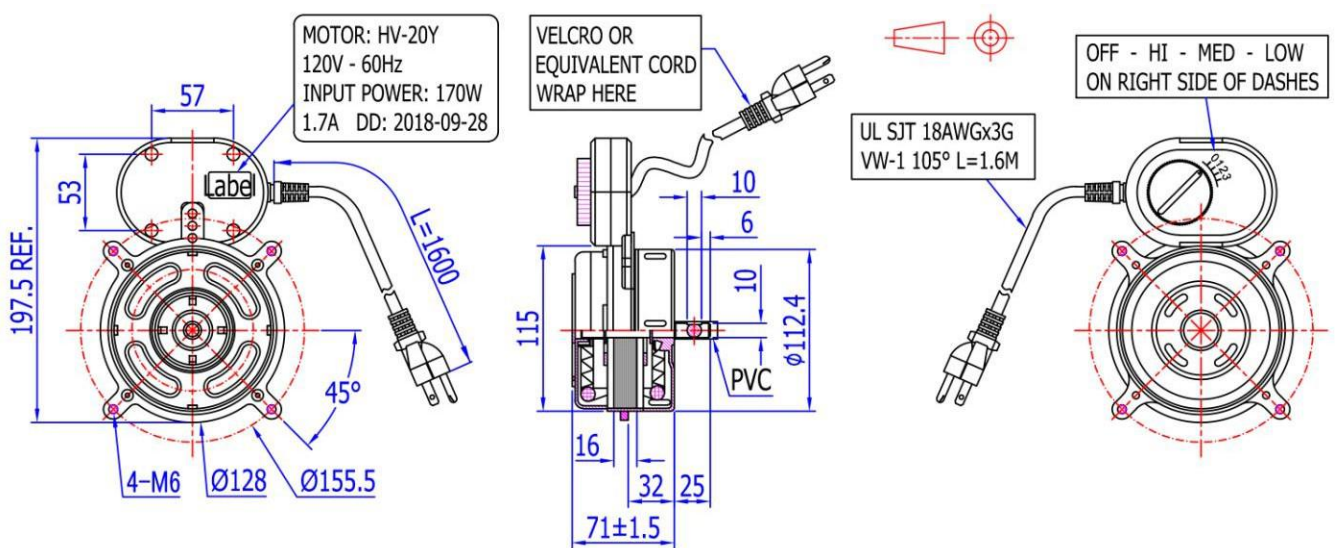
### Outline Dimensions (All dimensions in millimeter) :

Drawing of the **26~30" Industrial Fan Motor** Model: NCP11025



### Outline Dimensions (All dimensions in millimeter) :

Drawing of the **Floor Fan Motor** Model NCP11016



Remarks: This catalog listed just some typical models. The performances as above are just for reference only. We can adjust our motor specifications according to what the customer needs. OEM & ODM are both welcome.

# NCP110 Series (Output: 24~420W) Approx.)

Pictures of some of this series of motors :

Oil Extractor Motor without Gearbox



26-30" Industrial Fan Motor



16" Floor Fan Motor



26-30" Industrial Fan Motor (open)



Technical Performances (tested under room temperature) :

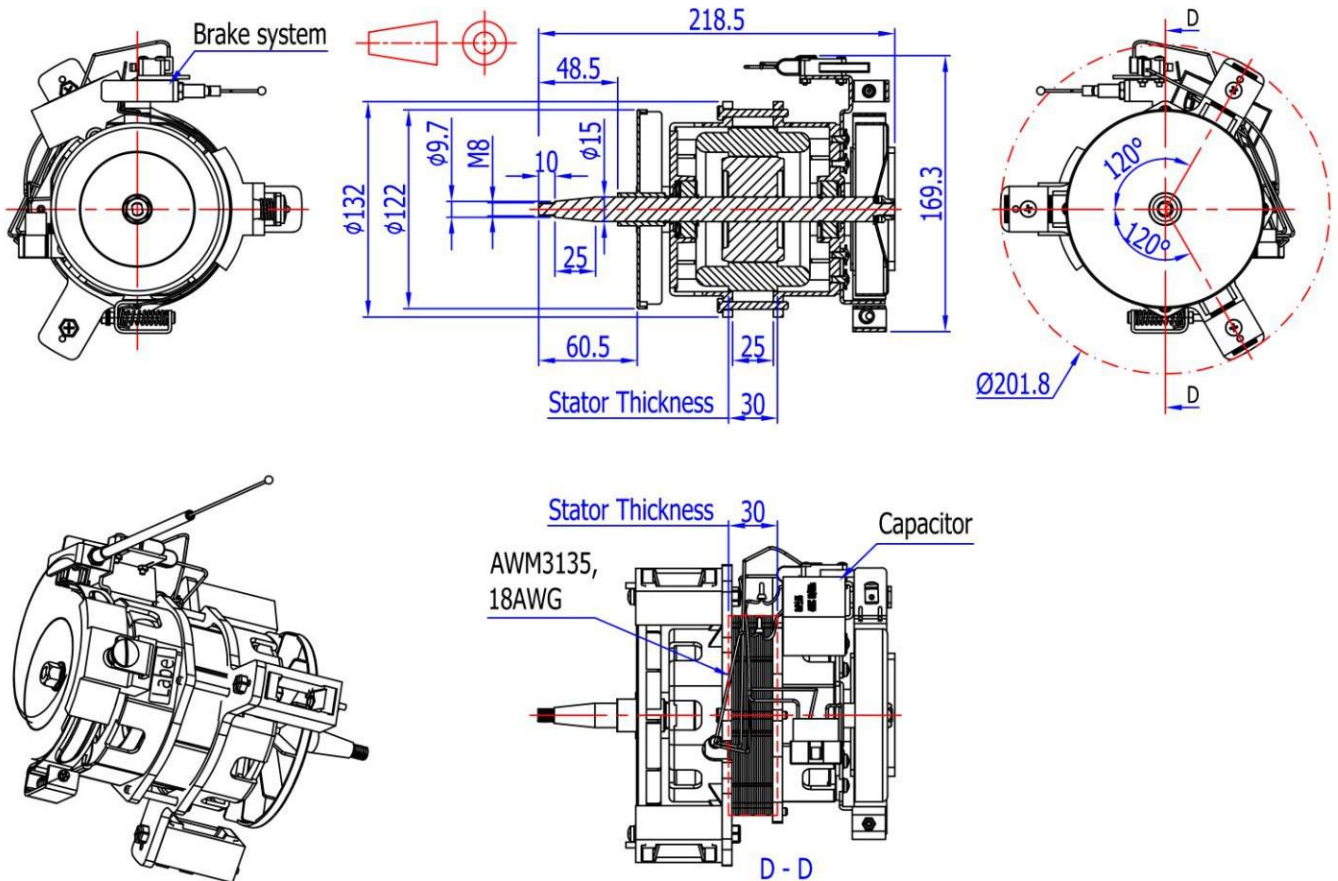
Model	Specs	Stack Height (mm)	Rated Supply		Number of Poles	Speed Level	@ No Load		On Load			
			Volt. (VAC)	Freq. (Hz)			Current (Amp)	Power (Watts)	Current (Amp)	Speed (rpm)	Power (Watts)	Torque (mNm)
NCP11010	10	120	60	4	High	0.56	62	0.61	1560	72	200	
					Medium	0.46	55	0.55	1400	65	220	
					Low	0.38	46	0.51	1200	60	239	
NCP11016	16	120	60	4	High	0.66	76	1.10	1400	125	426	
					Medium	0.54	63	0.92	1200	115	458	
					Low	0.47	53	0.85	950	105	528	
NCP11025	25	220	50	4	High	0.26	48	0.51	1300	110	404	
					Medium	0.19	41	0.49	1150	108	448	
					Low	0.16	36	0.48	1000	106	506	
NCP11040	40	220	50	4	High	0.57	58	0.90	1250	115	439	
					Medium	0.50	46	0.82	1150	107	445	
					Low	0.46	40	0.73	1000	100	476	

Remarks: This catalog listed just some typical models. The performances as above are just for reference only. We can adjust our motor specifications according to what the customer needs. OEM & ODM are both welcome.

# NCP110 Series (Output: 24~420W) Approx.)

The following motor is a new model we developed for our customer, used for **Dryer of Washing Machine**. The motor is added with a patent protected Brake System. The specifications can be adjusted according to the customer's needs.

## Outline Dimensions (All dimensions in millimeter) :



## Technical Performances (tested under room temperature) :

Specs	Stack Height (mm)	Rated Supply		Number of Poles	@ No Load			On Load			@ Stall	
		Volt. (VAC)	Freq. (Hz)		Current (Amp)	Power (Watts)	Speed (rpm)	Current (Amp)	Power (Watts)	Speed (rpm)	Current (Amp)	Power (Watts)
Model												
NCP11030-WMD	30	220	50	2	1.65	280	2860	1.70	320	2700	2.43	530