

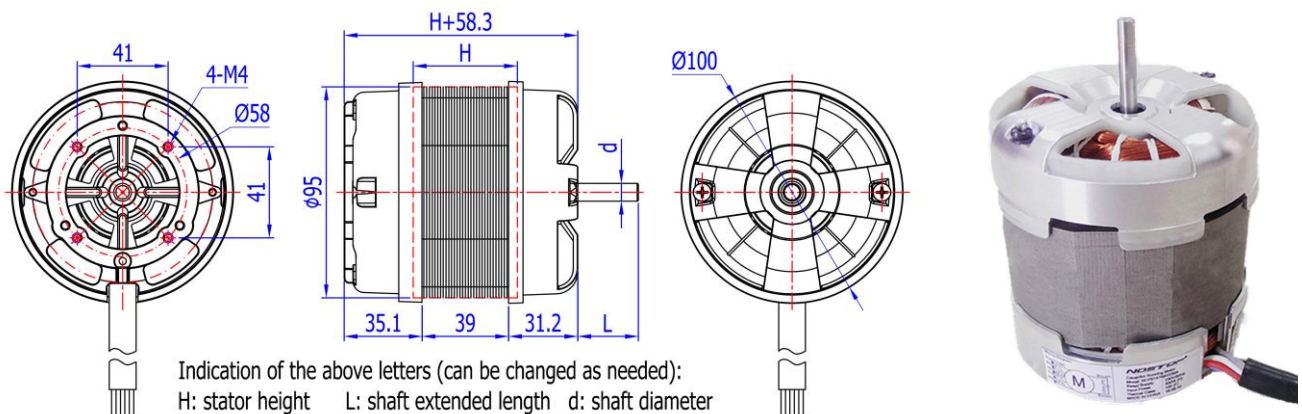
**Brief Introduction :**

1. The rated voltage can be from 100V to 240VAC. The frequency can be either 50Hz, or 60Hz, or 50/60Hz.
2. The motor can be made of 2 poles, 4 poles, 6 poles, etc as needed. Single speed, 2 speeds, 3 speeds or 4 speeds are all available.
3. The standard shaft diameter (d) is  $\varnothing 6$  or  $\varnothing 8$ mm. It can be others, with D-cuts, threads, etc.. Its length (L2) can be any as needed.
4. The stator height (H) can be any from 20mm to 50mm.
5. The bearing brackets (housing) can be made either by steel sheet or by zinc-aluminum alloy, with or without a mounting flange.
6. The rotor bearings can be of either sleeve bearings (bush) or ball bearings as needed to reach different lifetime.
7. The motor rotation can be either in CW or CCW direction as needed.
8. RoHS compliant is available.
9. The motor is CCC certified. **Certificate No.: 2017010401996939.**

**Typical Application :**

Kitchen Range Hood Fan, Blower, Air Purifier, Juice Extractor, Ventilator, Clothes Dryer, Air Curtain, etc.

**Outline Dimensions (All dimensions in millimeter) :**

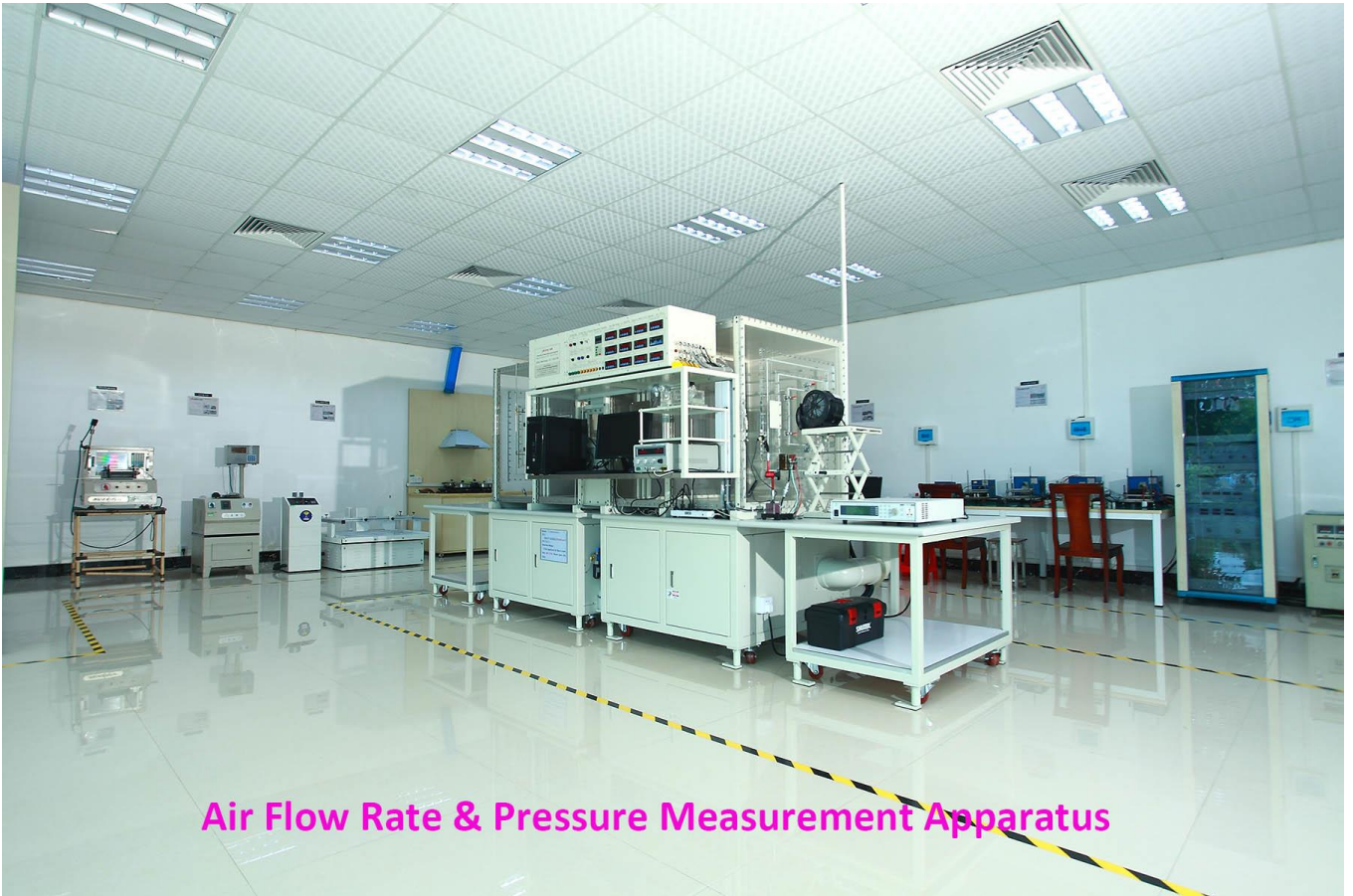


**Technical Performances (tested under room temperature):**

Specs Model	Stack Height (mm)	Power Supply		Number of Poles	Speed Level	@ No Load		@ Rated Load			
		Volt. (VAC)	Freq. (Hz)			Current (Amp)	Power (Watts)	Current (Amp)	Speed (rpm)	Power (in) (Watts)	Airflow (m <sup>3</sup> /h)
NCP9525	25	220	50	2	F4	0.602	132.0	0.85	1500	185	420
					F3	0.351	70.0	0.72	1100	150	365
					F2	0.298	52.0	0.65	900	132	293
					F1	0.265	43.0	0.59	600	110	220
NCP9535	35	230	50	2	F3	0.361	64.5	0.90	1700	220	640
					F2	0.189	45.6	0.79	1290	185	459
					F1	0.130	28.9	0.61	740	140	270
NCP9547	47	230	50	2	F4	0.294	61.2	1.20	2100	278	729
					F3	0.229	47.5	1.10	1540	254	514
					F2	0.139	27.5	0.60	890	130	297
					F1	0.080	16.8	0.30	671	69	217

**Remarks:** This catalog listed just some typical models. The performances as above are just for reference only. We can adjust our motor specifications according to what the customer needs. OEM & ODM are both welcome.

## Professional Laboratory Equipments

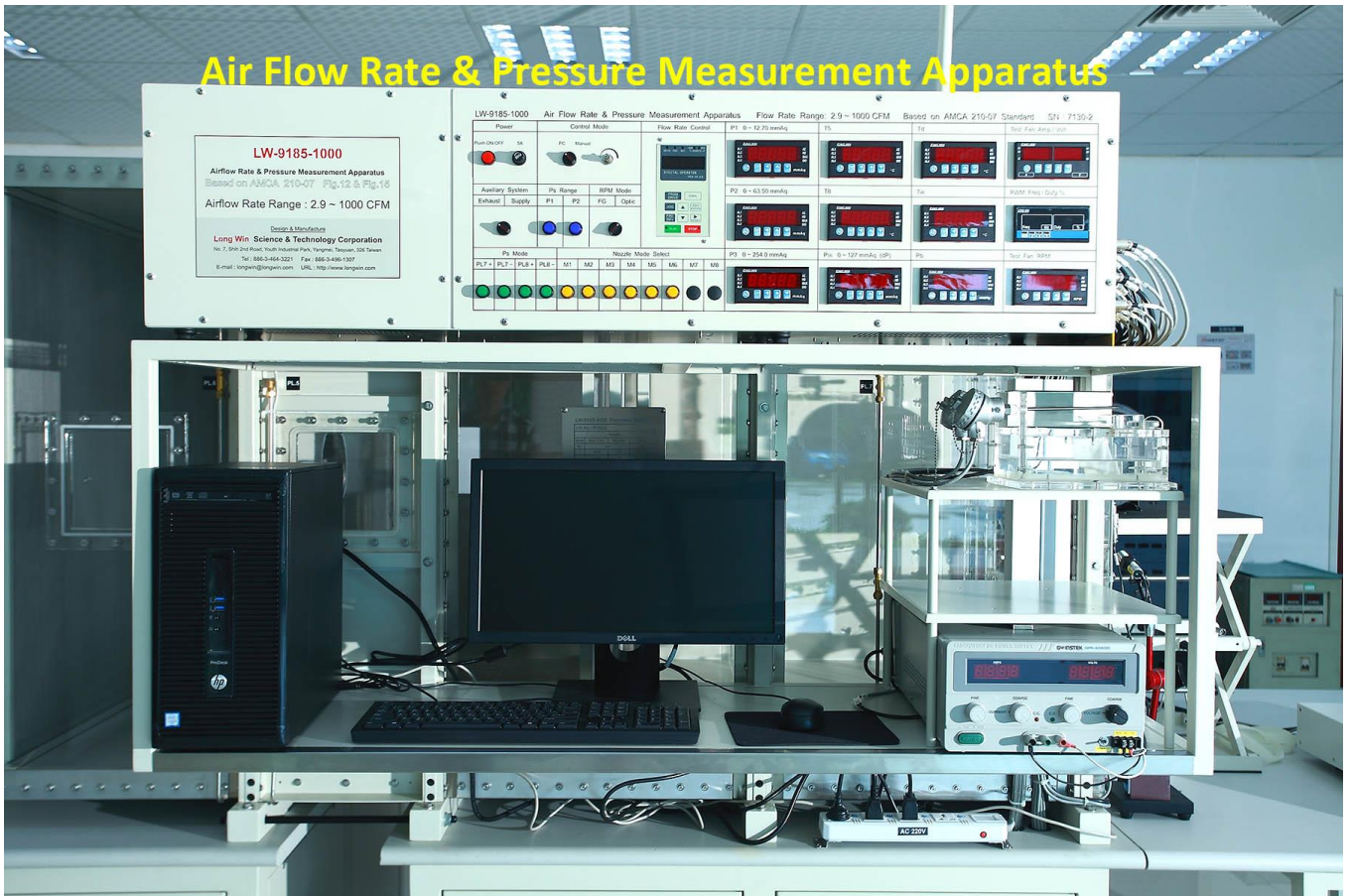


Air Flow Rate & Pressure Measurement Apparatus



Air Flow Rate & Pressure Measurement Apparatus

# Professional Laboratory Equipments



## Professional Laboratory Equipments

