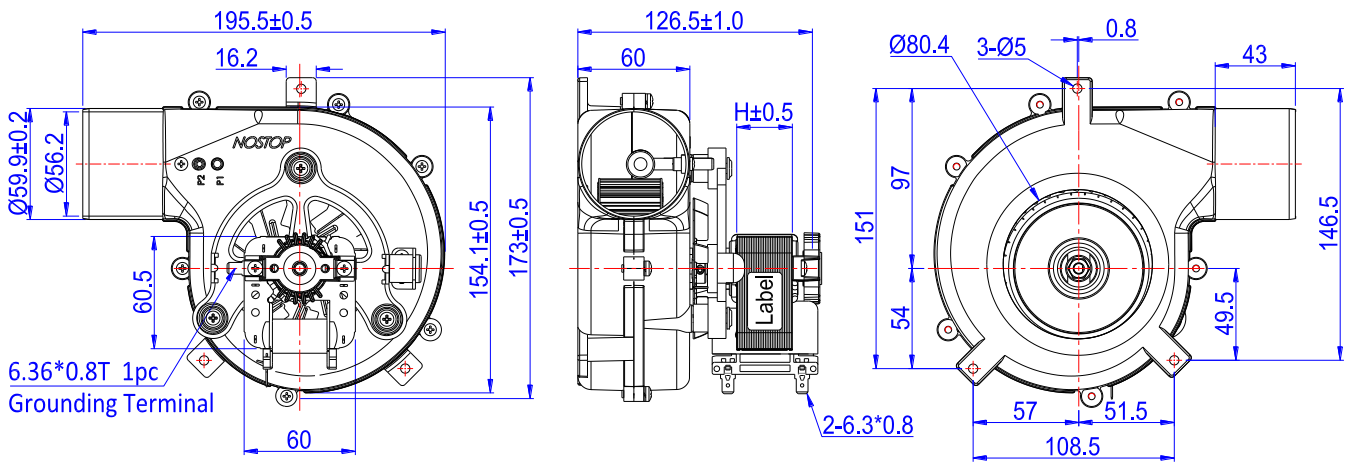


Brief Introduction:

1. It's mainly used for **gas boiler, fuel boiler, pellet stove, water boiler, home air-pipe**, etc. The input power can be adjusted during 25~65W.
2. The air-housing can be made of die-cast aluminium or galvanized steel, the fan wheel can be made of sheet aluminium or galvanized steel, and the motor can be of shaded pole type, capacitor type, or brushless one.
3. Long lifetime, low noise, stable running & withstand high temperature.
4. Class 180 (H) insulation, ambient temperature permits 250°C.

Basic Dimensions:

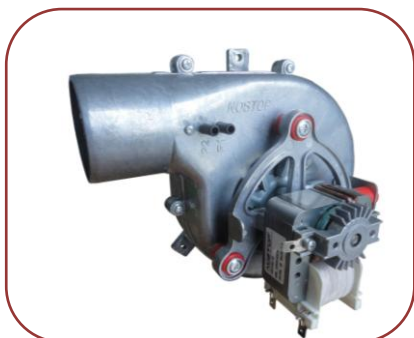


- Notes: 1) The above dimensions marked by letter are changeable, while the dimensions marked in numbers are fixed;
2) Based on the same fan wheel and air housing, adjusting the motor stack & design, the specs are as follow.

Technical Performances of Some Typical Models:

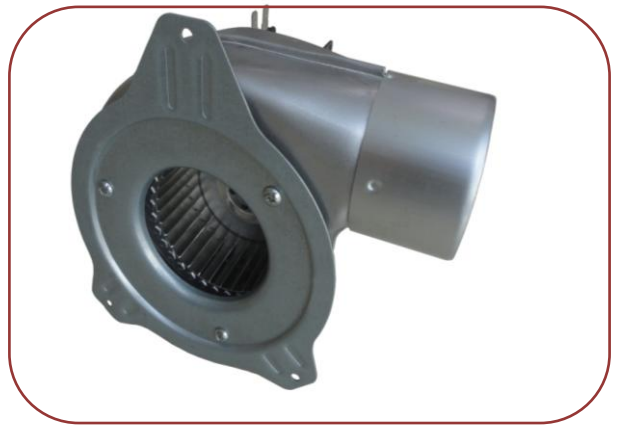
Models of the Blower	Fan Wheel Sizes (mm)	Motor Height (H=mm)	Rated Supply		Technical Performances				
			Volt.	Freq'y	Power	Current	Speed	Air Speed	Noise
			(VAC)	(Hz)	(W)	(A)	(rpm)	(mm/s)	(dB)
NCF9735-SP6025B25	$\varnothing 97 \times 35$	25	220	50	25	0.21	1500	≥ 10.0	≤ 50
NCF9735-SP6025B40	$\varnothing 97 \times 35$	25	220	50	40	0.21	2100	≥ 12.7	≤ 60
NCF9735-SP6025B65	$\varnothing 97 \times 35$	30	220	50	65	0.63	2550	≥ 13.5	≤ 65

Pictures by different viewing angles:



Technical Performances of Some Typical Models:

Models of the Blower	Fan Wheel Sizes	Motor Height	Rated Supply		Technical Performances				
			Volt.	Freq'y	Power	Current	Speed	Air Speed	Noise
	(mm)	(H=mm)	(VAC)	(Hz)	(W)	(A)	(rpm)	(mm/s)	(dB)
NCF8535-SP6020B-15	Φ85*35	20	220	50	15	0.16	1150	≥5.5	≤46
NCF8535-SP6020B-30	Φ85*35	20	220	50	30	0.31	2150	≥8.5	≤52
NCF8535-SP6020B-40	Φ85*35	20	220	50	40	0.39	2250	≥9.0	≤54



Technical Performances of Some Typical Models:

Models of the Blower	Fan Wheel Sizes	Motor Height	Rated Supply		Technical Performances				
			Volt.	Freq'y	Power	Current	Speed	Air Speed	Noise
	(mm)	(H=mm)	(VAC)	(Hz)	(W)	(A)	(rpm)	(mm/s)	(dB)
NCF10835-SP6020B-40	Φ108*35	30	220	50	40	0.42	1980	≥8.2	≤52
NCF10835-SP6020B-60	Φ108*35	30	220	50	60	0.63	2250	≥10.5	≤62
NCF10835-SP6020B-80	Φ108*35	30	220	50	80	0.83	2380	≥12.6	≤68



Remarks: The air speed is tested at 50cm far away from the air-outlet hole, and the noise is tested at 80m far away. The tolerances of the current, the power and the speeds are permitted by ±15%. This catalog listed just some typical models. Other requirements are possible. OEM & ODM are both welcome.