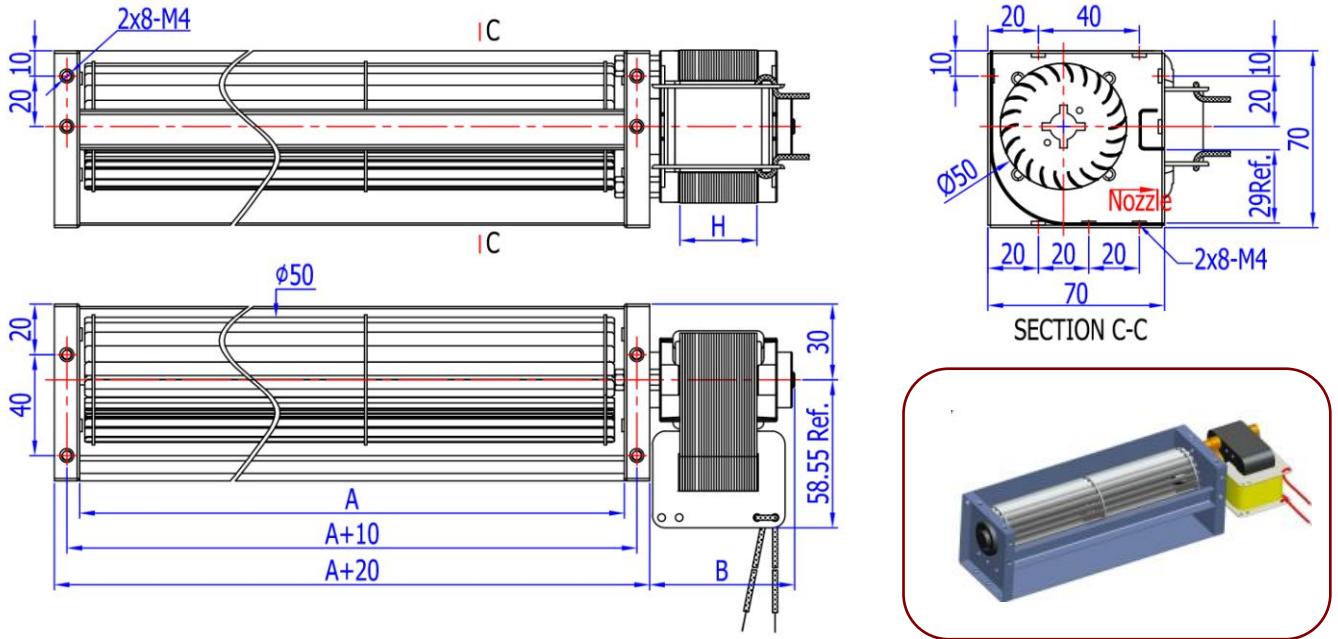


Brief Introduction :

Wheel:	Aluminum Alloy	Insulation System:	Class E, B, F or H As Request
Housing:	Galvanized Sheet or E-Coating	Operating Temperature:	-10°C To +50°C
Motor Type:	Shaded Pole Motors NSP61 Series (can be others)	Overheating Protection:	T.P. or Z.P.
Bearing:	Ball Bearing or Bronze Sleeve	Electrical Connection:	Flat-pin Terminal or Lead Wire
Power Supply:	100 – 240VAC as request	RoHS Compliance:	As Needed

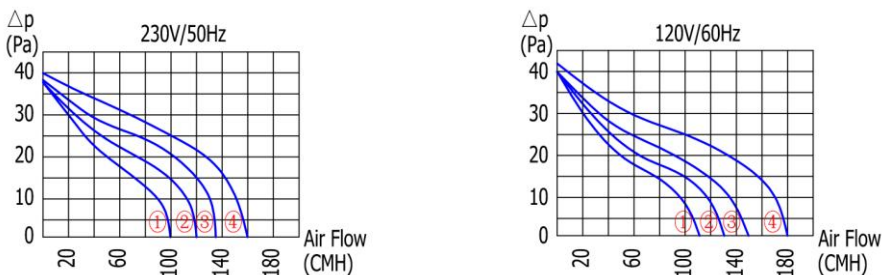
Outline Dimensions (All dimensions in millimeters) :



Technical Performances (based on free air conditions) :

No.	Specifications Model	Power Supply		Input Power	Output Speed	Max. Airflow		Max. Static Pressure		Noise Level	Dimensions		
		Volts	Freq'y			Metric	American	Metric	American		A	B	H
		(VAC)	(Hz)	(Watts)	(rpm)	(m ³ /h)	(CFM)	(Pa)	(in H ₂ O)	[dB(A)]	(mm)	(mm)	(mm)
①	NAF50200-SP6115	230	50	15	2000	100	59	37	0.1487	42	200	42	15
		120	60	15	2200	110	65	40	0.1608				
②	NAF50250-SP6120	230	50	22	2000	120	71	37	0.1487	43	250	47	20
		120	60	22	2200	130	77	40	0.1608				
③	NAF50300-SP6125	230	50	30	2000	135	80	38	0.1528	43	300	52	25
		120	60	30	2200	150	89	40	0.1608				
④	NAF50350-SP6130	230	50	38	2000	160	95	40	0.1608	43	350	57	30
		120	60	38	2200	180	107	42	0.1688				

Characteristics Curves:



Remarks: This catalog listed just some typical models. The performances as above are just for reference only. We can adjust our motor specifications according to what the customer needs. OEM & ODM are both welcome.