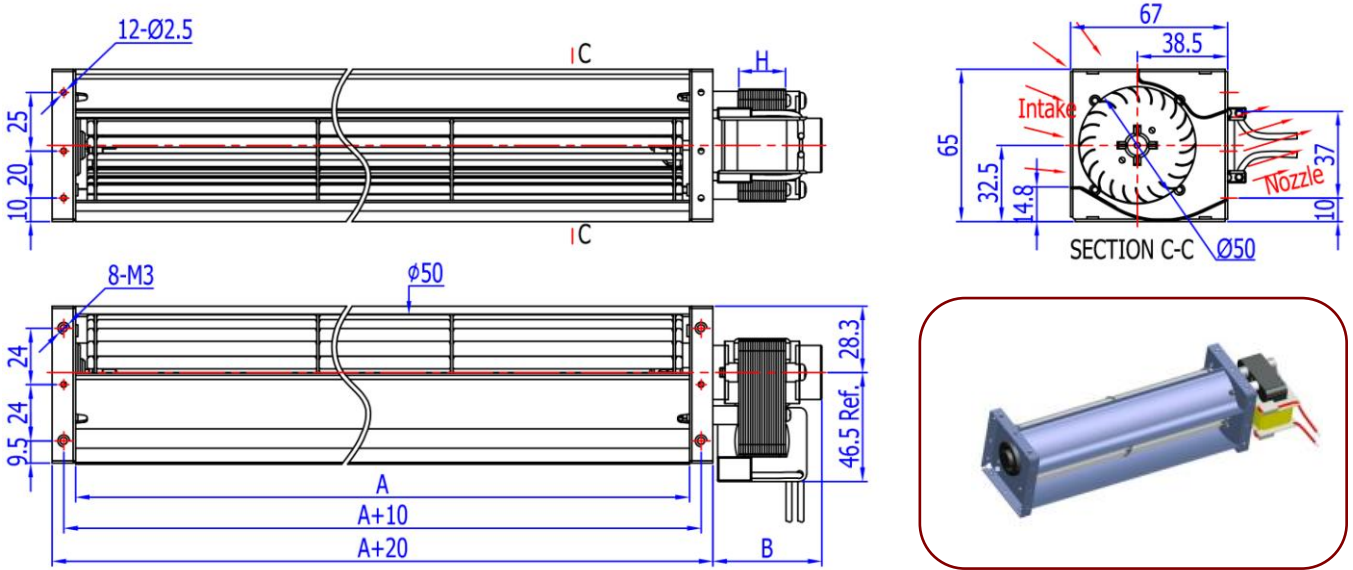


Brief Introduction :

Wheel:	Aluminum Alloy	Insulation System:	Class E, B, F or H As Request
Housing:	Galvanized Sheet or E-Coating	Operating Temperature:	-10°C To +50°C
Motor Type:	Shaded Pole Motors NSP48 Series (can be others)	Overheating Protection:	T.P. or Z.P.
Bearing:	Ball Bearing or Bronze Sleeve	Electrical Connection:	Flat-pin Terminal or Lead Wire
Power Supply:	100 – 240VAC as request	RoHS Compliance:	As Needed

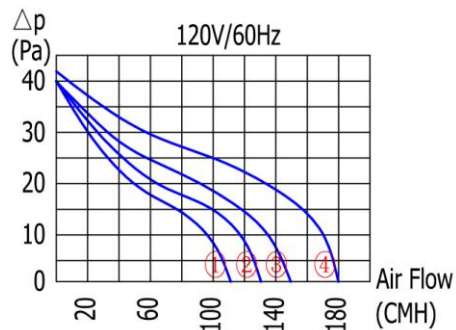
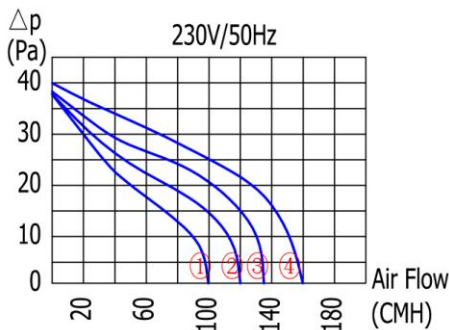
Outline Dimensions (All dimensions in millimeters) :



Technical Performances (based on free air conditions) :

No.	Specifications Model	Power Supply		Input Power (Watts)	Output Speed (rpm)	Max. Airflow		Max. Static Pressure		Noise Level [dB(A)]	Dimensions		
		Volts (VAC)	Freq'y (Hz)			Metric (m ³ /h)	American (CFM)	Metric (Pa)	American (in H ₂ O)		A (mm)	B (mm)	H (mm)
①	NAH50200-SP4815	230	50	13	2000	78	46	11	0.0442	41	200	41.5	15
		120	60	13	2300	90	53	13	0.0523	43			
②	NAH50250-SP4820	230	50	18	2000	130	77	15	0.0603	42	250	46.5	20
		120	60	18	2300	150	88	18	0.0724	45			
③	NAH50300-SP4820	230	50	22	2000	150	88	15	0.0603	42	300	46.5	20
		120	60	22	2300	170	100	18	0.0724	45			

Characteristics Curves:



Remarks: This catalog listed just some typical models. The performances as above are just for reference only. We can adjust our motor specifications according to what the customer needs. OEM & ODM are both welcome.