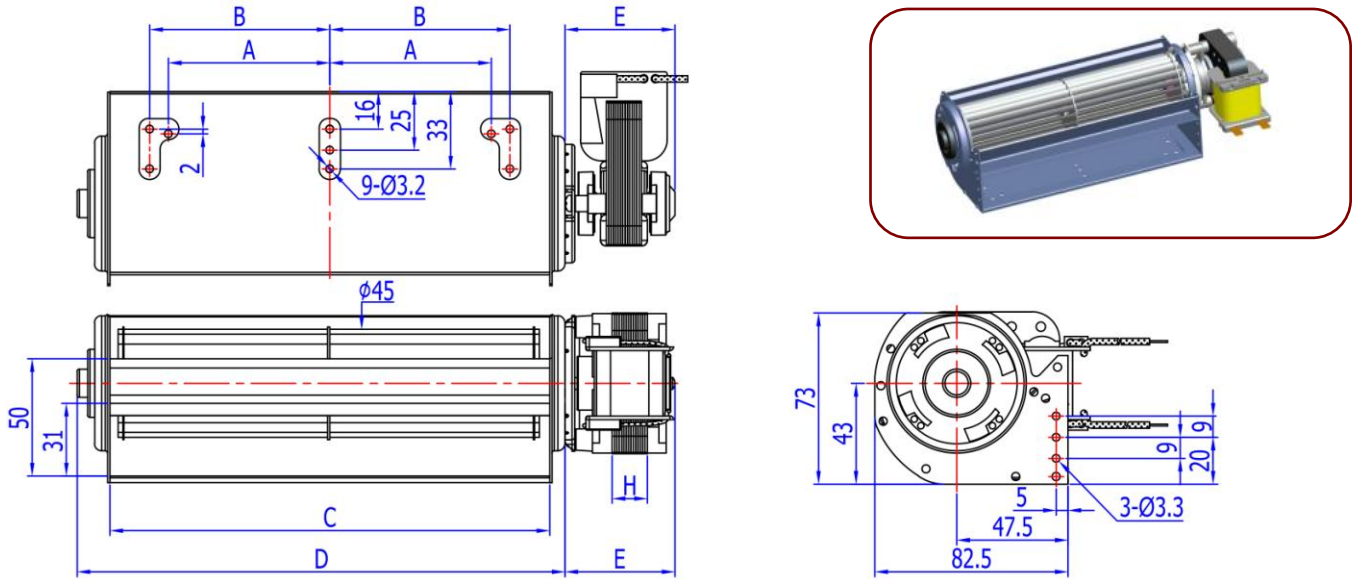


Brief Introduction :

Wheel:	Aluminum Alloy	Insulation System:	Class E, B, F or H As Request
Housing:	Galvanized Sheet or E-Coating	Operating Temperature:	-10°C To +50°C
Motor Type:	Shaded Pole Motors NSP61 Series (can be others)	Overheating Protection:	T.P. or Z.P.
Bearing:	Ball Bearing or Bronze Sleeve	Electrical Connection:	Flat-pin Terminal or Lead Wire
Power Supply:	100 – 240VAC as request	RoHS Compliance:	As Needed

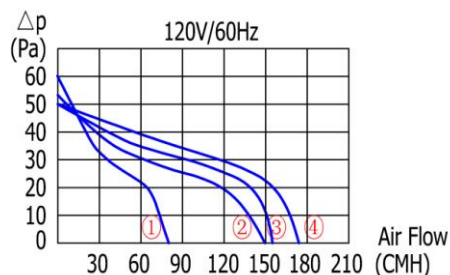
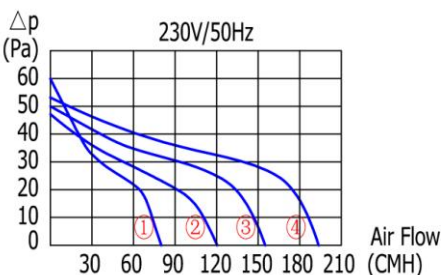
Outline Dimensions (All dimensions in millimeters) :



Technical Performances (based on free air conditions) :

No.	Specs Model	Power Supply		Input Power (Watts)	Output Speed (rpm)	Max. Airflow		Max. Static Pressure		Noise Level [dB(A)]	Dimensions (mm)				
		Volts (VAC)	Freq'y (Hz)			Metric (m ³ /h)	American (CFM)	Metric (Pa)	American (in H ₂ O)		A	B	C	D	E
①	NAR45120	230	50	17	2100	80	47	60	0.2412	46	39	47	121	148	42
	-SP6110	120	60	16	2100	80	47	60	0.2412	46					
②	NAR45180	230	50	21	1400	120	71	47	0.1889	40	69	77	188	215	47
	-SP6115	120	60	25	1800	150	88	53	0.2131	43					
③	NAR45240	230	50	23	1600	155	92	50	0.2010	42	98	106	242	269	52
	-SP6120	120	60	22	1600	155	92	50	0.2010	42					
④	NAR45300	230	50	28	1800	190	112	53	0.2131	45	128	136	303	330	57
	-SP6125	120	60	25	1600	170	100	50	0.2010	43					

Characteristics Curves:



Remarks: This catalog listed just some typical models. The performances as above are just for reference only. We can adjust our motor specifications according to what the customer needs. OEM & ODM are both welcome.