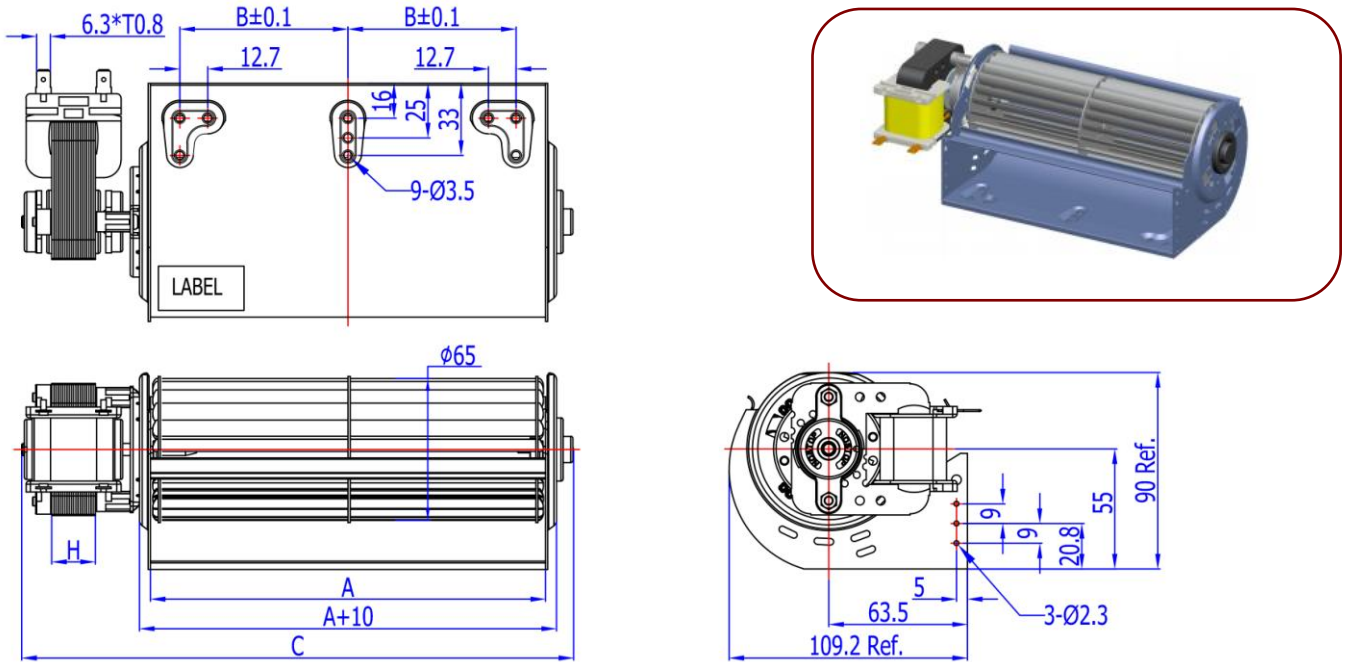


Brief Introduction :

Wheel:	Aluminum Alloy	Insulation System:	Class E, B, F or H As Request
Housing:	Galvanized Sheet or E-Coating	Operating Temperature:	-10°C To +50°C
Motor Type:	Shaded Pole Motors NSP61 Series (can be others)	Overheating Protection:	T.P. or Z.P.
Bearing:	Ball Bearing or Bronze Sleeve	Electrical Connection:	Flat-pin Terminal or Lead Wire
Power Supply:	100 – 240VAC As Request	RoHS Compliance:	As Needed

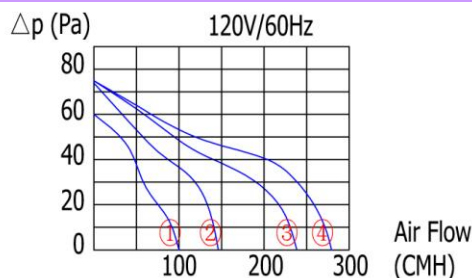
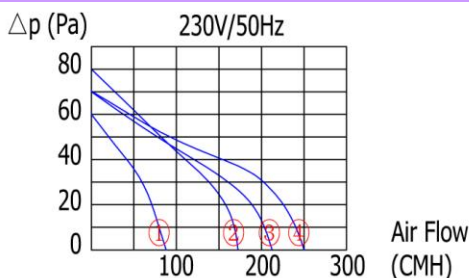
Outline Dimensions (All dimensions in millimeters) :



Technical Performances (based on free air conditions) :

No.	Specs Model	Power Supply		Input Power (Watts)	Output Speed (rpm)	Max. Airflow		Max. Static Pressure		Noise Level [dB(A)]	Dimensions (mm)			
		Volts (VAC)	Freq'y (Hz)			Metric (m ³ /h)	American (CFM)	Metric (Pa)	American (in H ₂ O)		A	B	C	H
①	NAR65120	230	50	15	1300	85	50	60	0.2412	42	121	46.5	193	20
	-SP6120	120	60	20	1500	100	60	68	0.2734					
②	NAR65180	230	50	30	1500	170	100	80	0.3216	46	181	77	258	25
	-SP6125	120	60	23	1300	145	85	73	0.2935					
③	NAR65240	230	50	38	1200	220	130	70	0.2814	42	242	106	324	30
	-SP6130	120	60	40	1300	240	142	75	0.3015					
④	NAR65300	230	50	42	1200	250	148	70	0.2814	42	303	136	390	35
	-SP6135	120	60	45	1300	280	166	75	0.3015					

Characteristics Curves:



Remarks: This catalog listed just some typical models. The performances as above are just for reference only. We can adjust our motor specifications according to what the customer needs. OEM & ODM are both welcome.