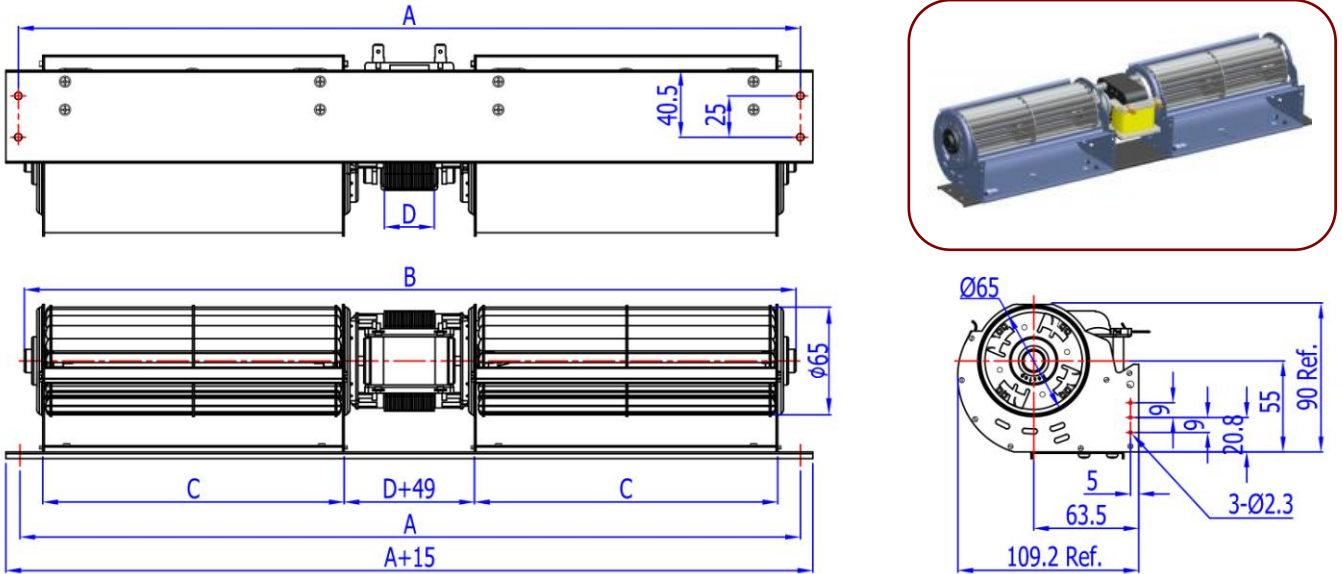


**Brief Introduction :**

Wheel:	Aluminum Alloy, 2 pcs	Insulation System:	Class E, B, F or H As Request
Housing:	Galvanized Sheet or E-Coating	Operating Temperature:	-10°C To +50°C
Motor Type:	Shaded Pole Motors NSP61 Series (can be others)	Overheating Protection:	T.P. or Z.P.
Bearing:	Ball Bearing or Bronze Sleeve	Electrical Connection:	Flat-pin Terminal or Lead Wire
Power Supply:	100 – 240VAC As Request	RoHS Compliance:	As Needed

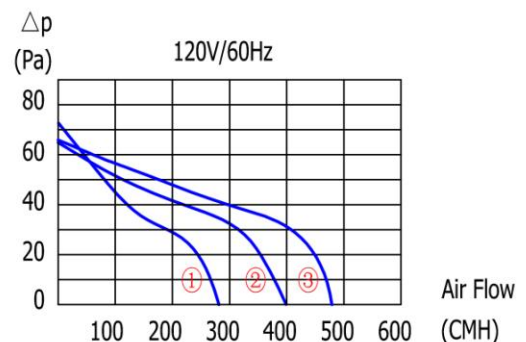
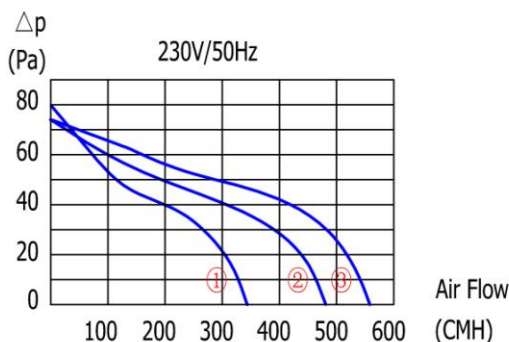
**Outline Dimensions (All dimensions in millimeters) :**



**Technical Performances (based on free air conditions) :**

No.	Specs Model	Power Supply		Input Power (Watts)	Output Speed (rpm)	Max. Airflow		Max. Static Pressure		Noise Level [dB(A)]	Dimensions (mm)			
		Volts (VAC)	Freq'y (Hz)			Metric (m <sup>3</sup> /h)	American (CFM)	Metric (Pa)	American (in H <sub>2</sub> O)		A	B	C	H
①	NAR65180D- SP6130	230	50	35	1500	340	201	80	0.3216	46	463	467	183	30
		120	60	30	1300	290	171	73	0.2935	43				
②	NAR65240D- SP6135	230	50	40	1300	480	284	75	0.3015	42	583	594	244	35
		120	60	35	1100	400	237	67	0.2693	40				
③	NAR65300D- SP6140	230	50	50	1300	560	331	75	0.3015	43	706	721	306	40
		120	60	43	1100	470	278	68	0.2734	41				

**Characteristics Curves:**



**Remarks:** This catalog listed just some typical models. The performances as above are just for reference only. We can adjust our motor specifications according to what the customer needs. OEM & ODM are both welcome.