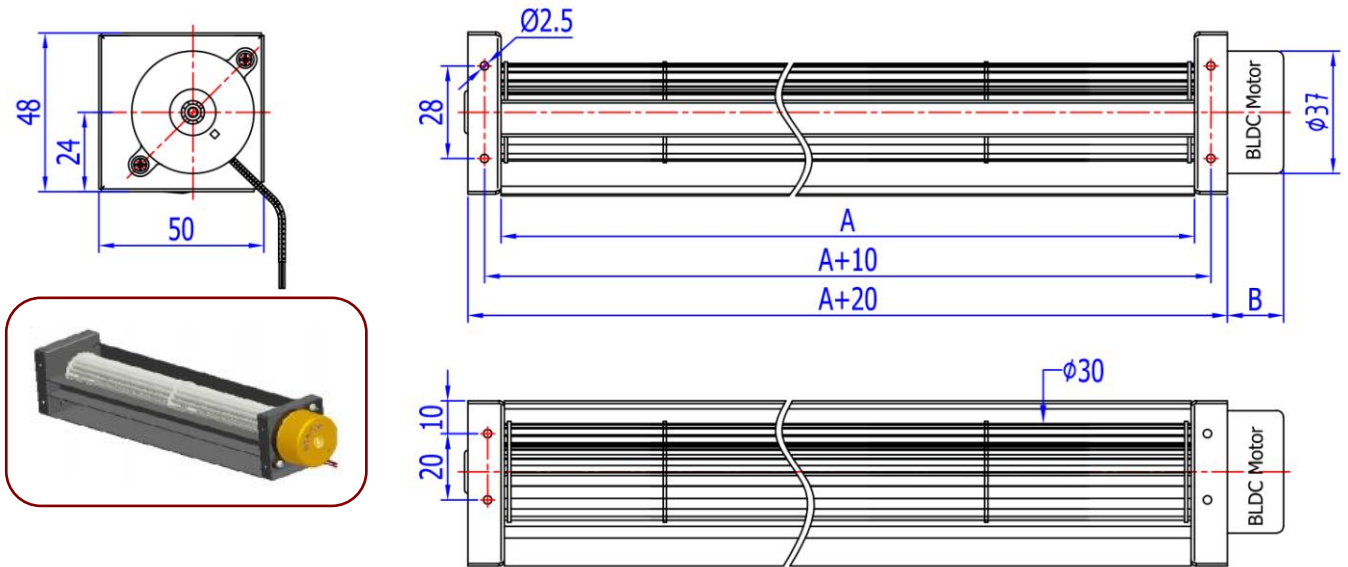


Brief Introduction :

Wheel:	Aluminum Alloy	Insulation System:	Class E, B, F or H As Request
Housing:	Galvanized Sheet or E-Coating	Operating Temperature:	-10°C To +70°C
Motor Type:	Brushless DC Motor	Overheating Protection:	T.P. or Z.P.
Bearing:	Ball Bearing or Bronze Sleeve	Electrical Connection:	Lead Wire
Power Supply:	DC 5V, 12V, 18V, 24V or As Request	RoHS Compliance:	As Needed

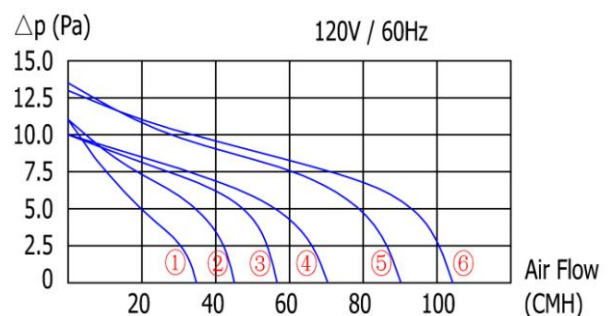
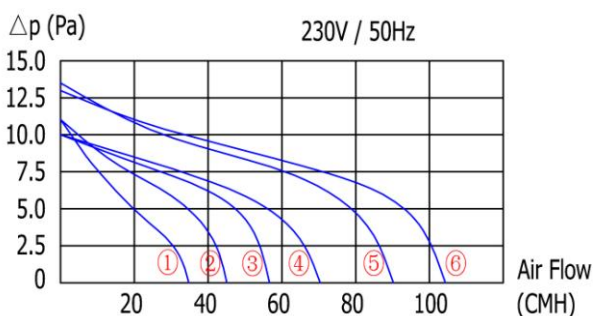
Outline Dimensions (All dimensions in millimeters) :



Technical Performances (based on free air conditions) :

No.	Specifications Models	Rated Volt. (VDC)	Input Current (Amps)	Output Speed (rpm)	Max. Airflow		Max. Static Pressure		Noise Level [dB(A)]	Dimensions	
					Metric (m ³ /h)	American (CFM)	Metric (Pa)	American (in H ₂ O)		A (mm)	B (mm)
①	NDF30200-BL3725	5	0.043	3200	65	38.2	28	0.1126	38	198	42
②	NDF30250-BL3725	12	0.045	3000	85	50.0	30	0.1206	33	248	42
③	NDF30300-BL3725	18	0.048	2800	100	58.8	33	0.1327	39	303	40
④	NDF30350-BL3725	24	0.050	2500	125	73.5	33	0.1327	40	353	37

Characteristics Curves:



Remarks: This catalog listed just some typical models. The performances as above are just for reference only. We can adjust our motor specifications according to what the customer needs. OEM & ODM are both welcome.