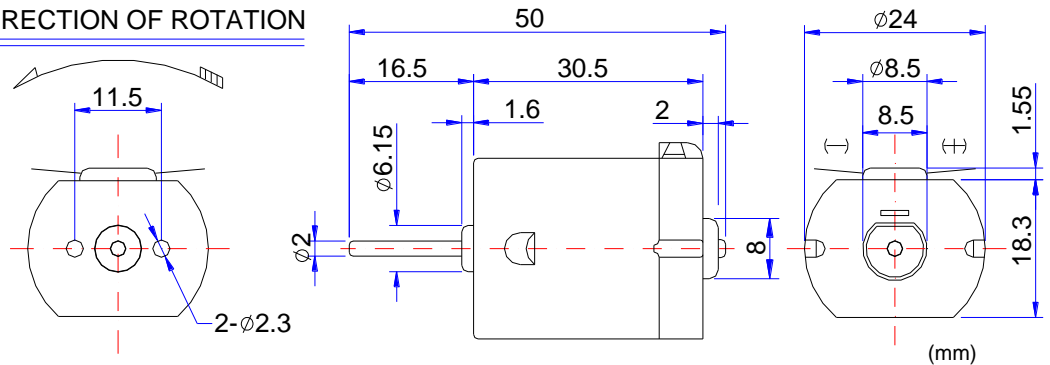


**Typical Application:**

1. Motorized toys.
2. Motorized plastic models.
3. Hair Dryer.

**Weight:** 35g (Approx.)

DIRECTION OF ROTATION

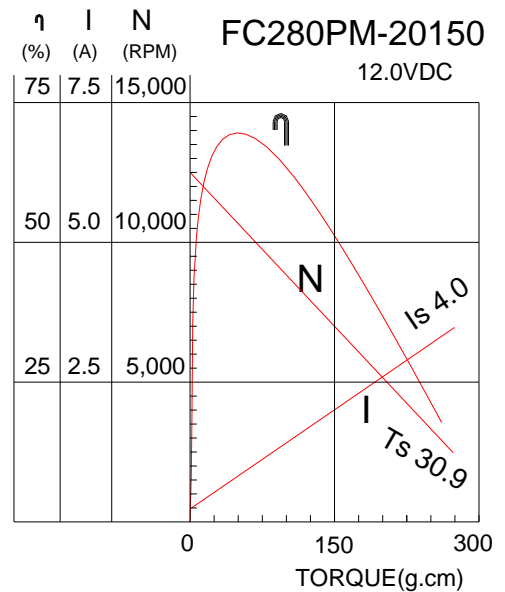
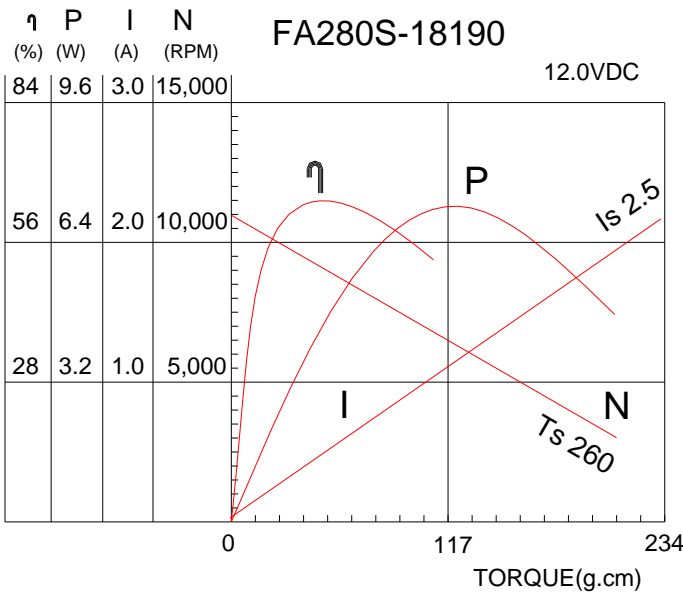


SHEET METAL BRUSH MOTORS AND CARBON BRUSH MOTORS

**ELECTRICAL SPECIFICATION CHART:** (The following specifications can be changed as customers' requirement)

Model	Voltage		At No Load		At Max Efficiency				Stall
	Workable Range	Nominal	Speed RPM	Current A	Speed RRPM	Current A	Torque G.CM	Output W	Torque G.CM
FA280S-18165	10.0~15.0V	12V Constant	11,000	0.12	9,400	0.47	40.00	3.90	260
FA280S-18190	10.0~15.0V	12V Constant	11,000	0.12	9,400	0.47	40.00	3.90	260
<b>FC280PM-20150</b>	<b>9.0~15.0V</b>	<b>12V Constant</b>	<b>12,000</b>	<b>0.10</b>	<b>10,360</b>	<b>0.63</b>	<b>43.00</b>	<b>4.57</b>	<b>315</b>
FC280PM-18165	9.0~15.0V	12V Constant	11,000	0.10	9,330	0.56	43.20	4.13	285
FC280SM-18165	10.0~15.0V	12V Constant	12,400	0.09	10,660	0.55	36.40	3.98	260
FC280SM-16200	10.0~15.0V	12V Constant	10,000	0.07	8,470	0.39	33.70	2.92	220
FC280SM-4523	1.0~2.0V	1.2V Constant	8,700	0.58	7,100	2.58	24.70	1.80	135

**CHARACTERISTIC CURVES:**



Shenzhen Nostop Electric Co., Ltd

Building C#, Gangzhilong Science & Technology Industrial Park, Qinglong Road, Longhua Town,  
Shenzhen City, Guangdong Province, 518107 P.R.China

TEL: +86.755. 2983 4766, 2815 9775, 2815 9776 FAX: +86.755. 2967 4299

E-mail: [stony@nostop.cn](mailto:stony@nostop.cn)

URL: <http://www.nostopmotor.com>, <http://www.nostop.cn>