


Features:

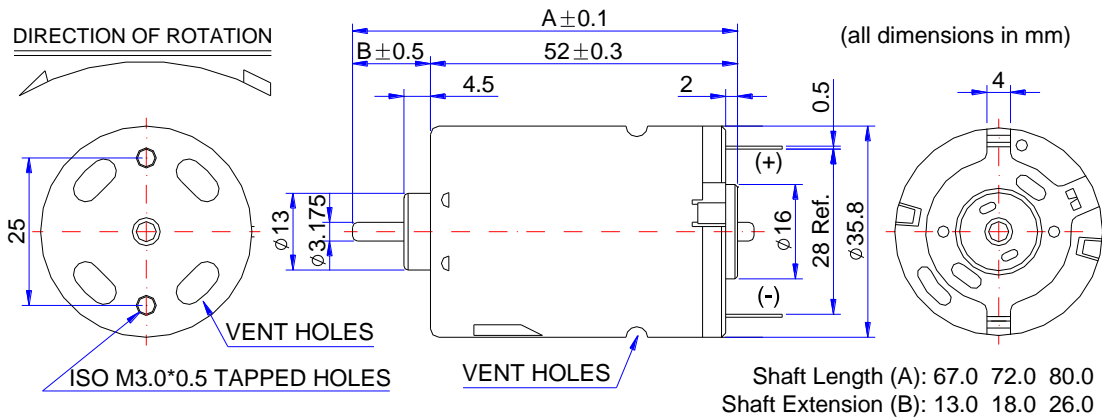
* Carbon Brush Motor.

Weight:

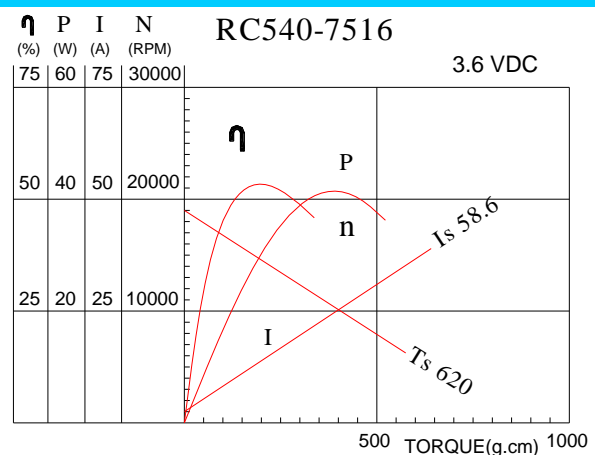
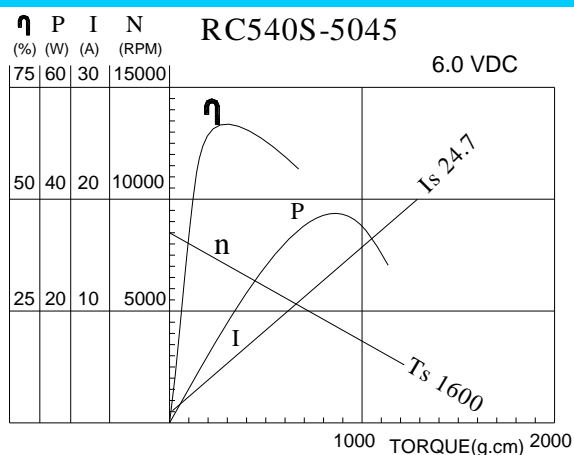
160g (APPROX)

Typical Application:

Vacuum Cleaner, Air Compressor, Drill, Toys and models.


ELECTRICAL SPECIFICATION : (The following specifications can be changed as customers' requirement)

Model	Voltage		At No Load		At Max Efficiency					Stall Torque G.CM
	Workable Range	Nominal	Speed RPM	Current A	Speed RRPM	Current A	Torque G.CM	Output W	Eff. %	
RC540-4070	4.5~15.0	6.0V Constant	7600	0.46	6226	2.10	120	7.7	61.0	665
RC540-7516	2.4~4.5	3.6V Constant	19000	2.80	16000	11.00	120	19.7	49.7	820
RC540-5045	4.5~9.6	6.0V Constant	11600	0.82	9600	4.10	140	13.8	56.0	880
RC540S-5045	4.5~15.0	6.0V Constant	8400	0.62	7200	3.91	219	16.2	68.9	1600
RC540S-7519	3.0~8.0	4.8V Constant	15186	2.06	13106	12.60	310	41.7	68.9	2263
RC540S-7520	3.6~7.2	4.8V Constant	14800	1.50	12900	8.20	220	29.1	73.9	1860
RC540S-7522	3.0~9.0	4.8V Constant	14323	1.65	12434	11.60	281	35.7	64.1	2123
RC540S-8015	3.0~6.0	4.8V Constant	18500	2.00	15600	10.80	206	33.1	63.8	1320

CHARACTERISTIC CURVES:


Nostop Electric Co., Ltd

 Building C#, Gangzhilong Science & Technology Industrial Park, Qinglong Road, Longhua Town,
 Shenzhen City, Guangdong Province, 518107 P.R.China

TEL: +86.755. 2983 4766, 2815 9775, 2815 9776 FAX: +86.755. 2967 4299

 E-mail: stony@nostop.cn

 URL: <http://www.nostopmotor.com.cn>