

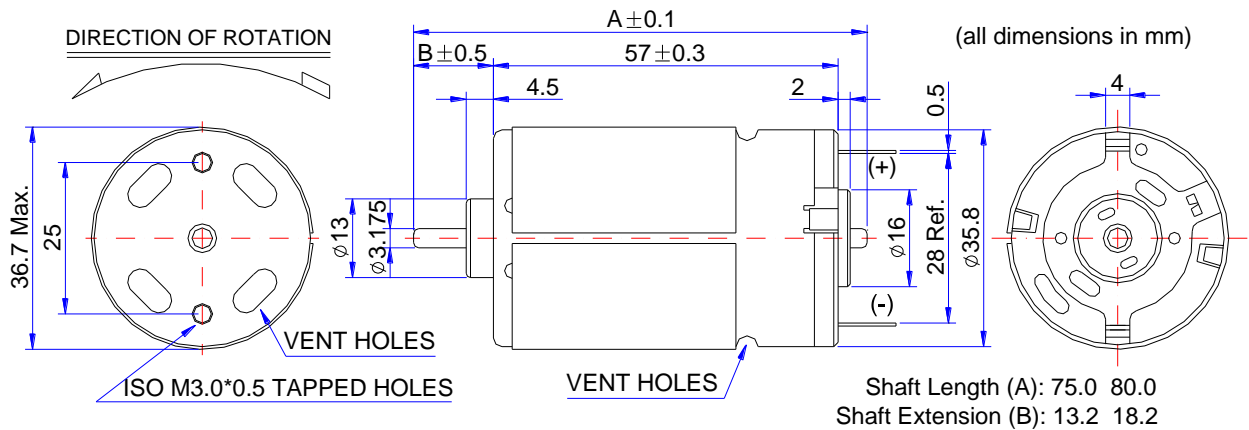


**Features:**  
 \* Carbon Brush Motor.

**Weight:**  
 215g (APPROX)

**Typical Application:**

1. Printer, Computer Peripherals, Drill, Screwdriver, Lumber Support, etc.
2. Car Antenna, Air Compressor, Coreless Garden Tools.



**ELECTRICAL SPECIFICATION CHART:** (The specifications can be changed as customers' requirement)

Model	Voltage		At No Load		At Max Efficiency					Stall Torque
	Workable Range	Nominal	Speed	Current	Speed	Current	Torque	Output	Eff.	
			RPM	A	RRPM	A	G.CM	W	%	G.CM
RC550SP-26150	15~30V	24.0V Constant	7300	0.15	6400	1.06	274	17.90	70.5	2220
RC550SP-5045	6~18V	12.0V Constant	12200	0.65	10770	4.90	371	41.00	70.0	3170
RC550SP-6530	3~12V	6.0V Constant	9200	0.90	8000	6.00	320	26.20	72.0	2450
RC550SP-6530	3~12V	7.2V Constant	10900	1.10	9450	7.17	376	36.40	70.0	2840
RC550SP-7522	3~9V	4.8V Constant	10200	1.30	8920	9.00	347	31.76	73.0	2770
<b>RC550SP-7522</b>	<b>3~9V</b>	<b>7.2V Constant</b>	<b>15300</b>	<b>1.60</b>	<b>13350</b>	<b>10.90</b>	<b>433</b>	<b>59.00</b>	<b>75.0</b>	<b>3400</b>

**CHARACTERISTIC CURVES:**

