



**Features:**

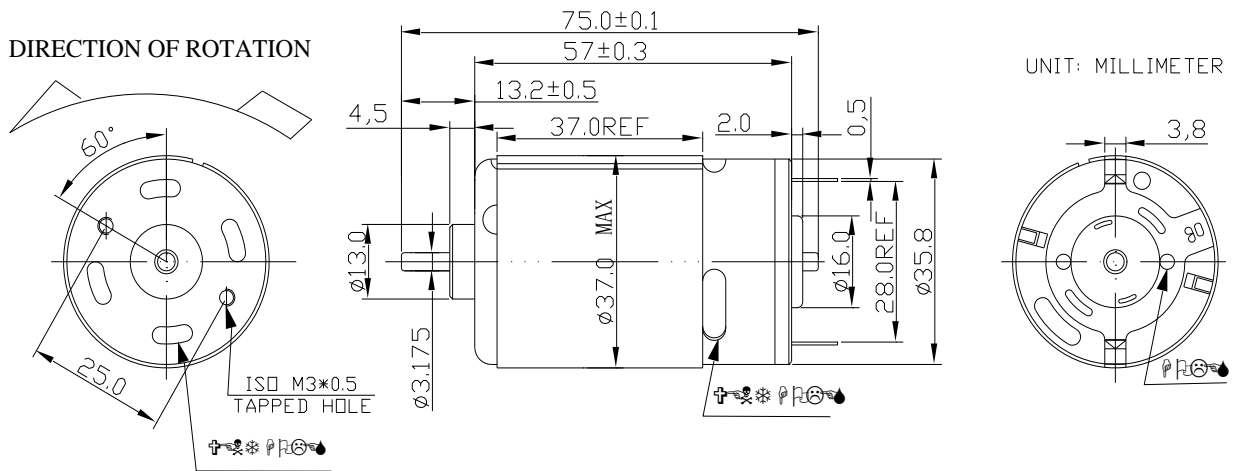
\* High Voltage DC Carbon-Brush Motor.

**Weight:**

215g (APPROX)

**Typical Application:**

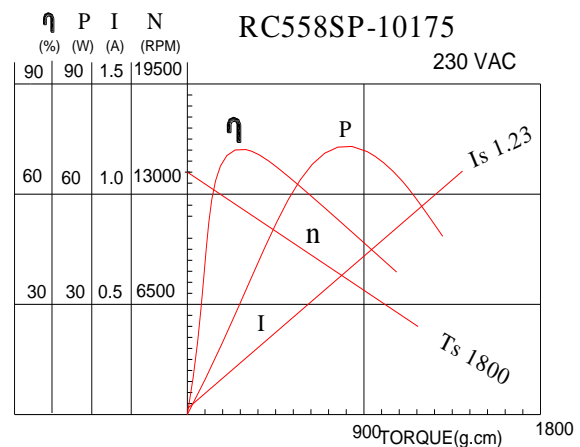
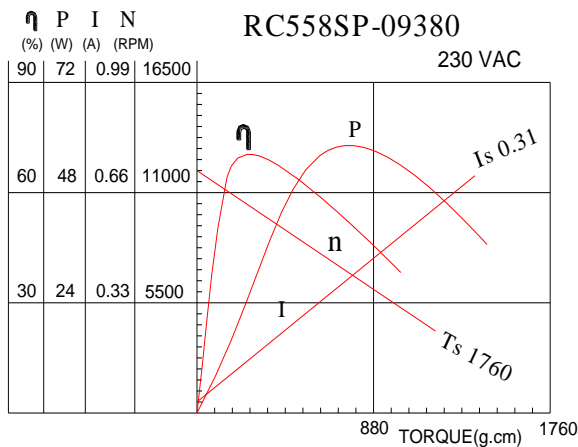
1. Precision Instruments: Automatic Vending Machines
2. Household Appliances: Mini Chopper / Vacuum Cleaner



**ELECTRICAL SPECIFICATION CHART: (The specifications can be changed as customers' requirement)**

Model	Voltage		At No Load		At Max Efficiency					Stall Torque
	Workable Range	Nominal	Speed RPM	Current A	Speed RRPM	Current A	Torque G.CM	Output W	Eff. %	
RC558SP-09380	100~240	230V Constant	1279	0.03	10770	0.17	260	30.9	77.2	1765
RC558SP-10175	100~240	230V Constant	1457	0.04	12240	0.23	317	39.8	74.6	1980
RC558SP-12195	100~240	120V Constant	1288	0.05	10740	0.32	280	30.6	79.4	1668

**CHARACTERISTIC CURVES:**



Shenzhen Nostop Electric Co., Ltd

Building C#, Gangzhihong Science & Technology Industrial Park, Qinglong Road, Longhua Town,  
Shenzhen City, Guangdong Province, 518107 P.R.China

TEL: +86.755. 2983 4766, 2815 9775, 2815 9776 FAX: +86.755. 2967 4299

E-mail: [stony@nostop.cn](mailto:stony@nostop.cn)

URL: <http://www.nostopmotor.com>, <http://www.nostop.cn>