


Features:

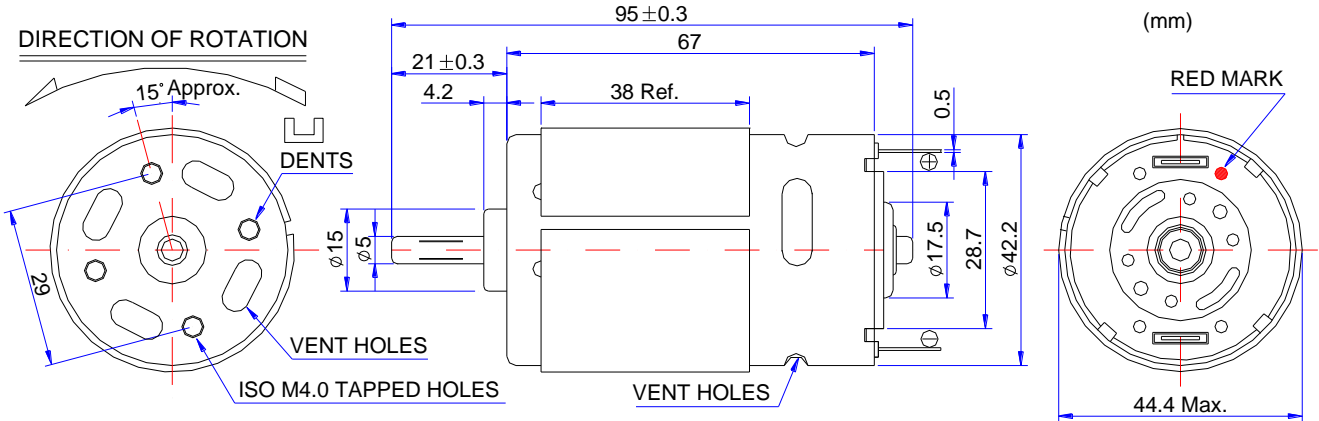
* Carbon Brush Motor. * AC power source.

Weight:

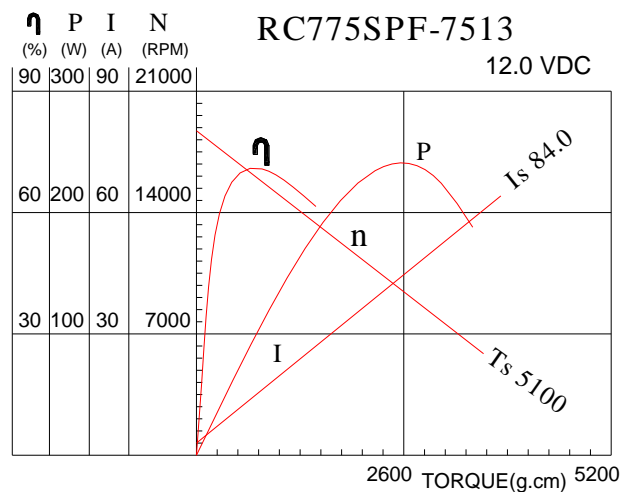
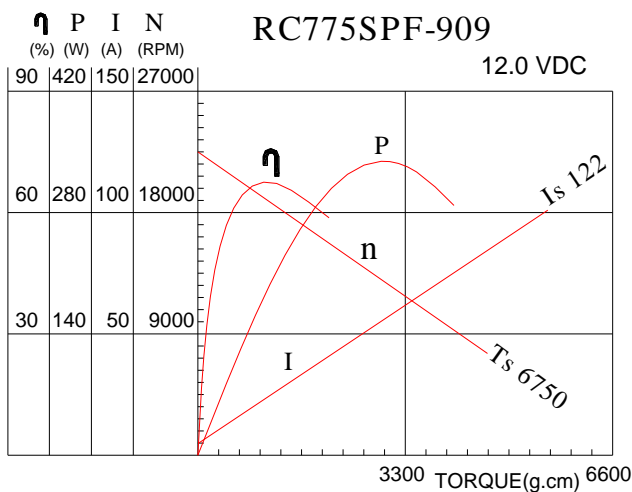
350g (APPROX)

Typical Application:

1. Grills & Screw Drivers, etc.
2. Hand Mixer, Typewriter, etc.


ELECTRICAL SPECIFICATION CHART: (The specifications can be changed as customers' requirement)

Model	Voltage		At No Load		At Max Efficiency					Stall Torque G.CM
	Workable Range	Nominal	Speed RPM	Current A	Speed RRPM	Current A	Torque G.CM	Output W	Eff. %	
RC775SPF-2595	6.0~30.0V	30.0V Constant	5600	0.28	4542	1.90	867	40.8	71.6	4640
RC775SPF-2765	6.0~30.0V	24.0V Constant	7600	0.37	5811	2.22	750	44.7	83.9	3186
RC775SPF-3848	6.0~12.0V	12.0V Constant	5100	0.56	4200	2.24	500	21.6	80.1	2850
RC775SPF-7513	6.0~15.0V	12.0V Constant	18700	2.20	16000	13.60	710	116.5	71.4	5100
RC775SPF-8510	6.0~12.0V	12.0V Constant	20400	3.80	16800	21.00	1000	172.3	68.4	6700
RC775SPF-9090	6.0~12.0V	12.0V Constant	22600	4.50	18900	23.00	1000	193.8	70.2	6750

CHARACTERISTIC CURVES:


Shenzhen Nostop Electric Co., Ltd

 Building C#, Gangzhilong Science & Technology Industrial Park, Qinglong Road, Longhua Town,
 Shenzhen City, Guangdong Province, 518107 P.R.China

TEL: +86.755. 2983 4766, 2815 9775, 2815 9776 FAX: +86.755. 2967 4299

 E-mail: stony@nostop.cn

 URL: <http://www.nostopmotor.com>, <http://www.nostop.cn>