


**Features:**

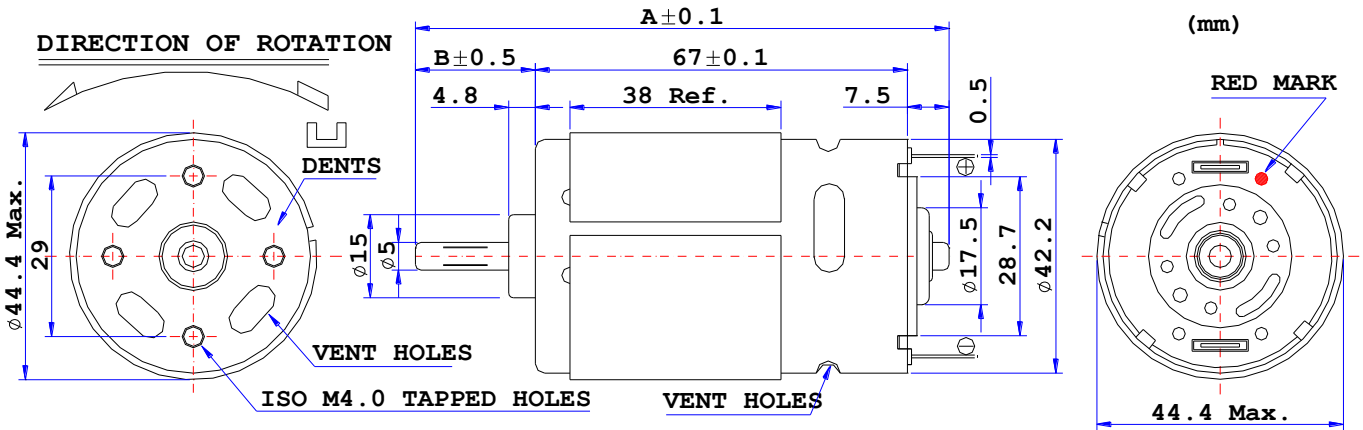
\* Carbon Brush Motor.

**Weight:**

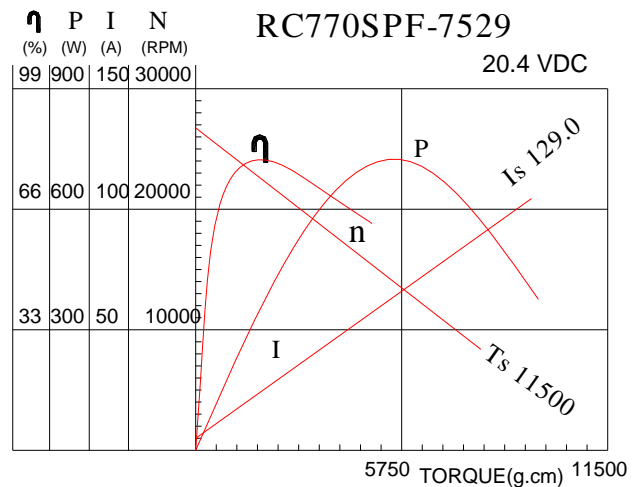
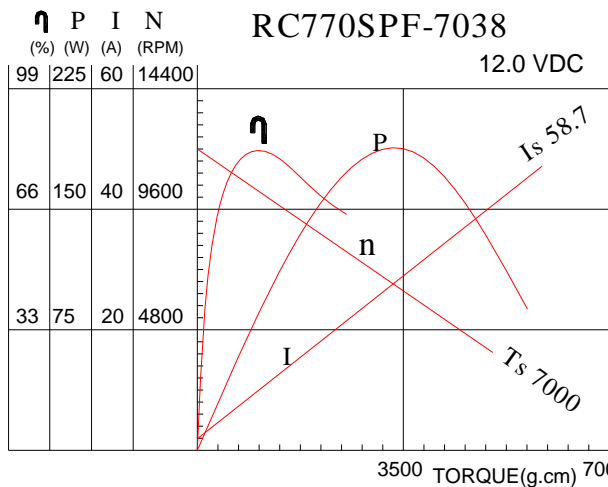
350g (APPROX)

**Typical Application:**

1. Drills & Screw Drivers, etc.
2. Hand Mixer, Typewriter, etc.
3. Cordless Garden Tools.


**ELECTRICAL SPECIFICATION CHART: (The specifications can be changed as customers' requirement)**

Model	Voltage		At No Load		At Max Efficiency					Stall Torque G.CM
	Workable Range	Nominal	Speed RPM	Current A	Speed RRPM	Current A	Torque G.CM	Output W	Eff. %	
RC770SPF-7038	3.0~30.0V	12.0V Constant	10600	1.3	9162	9.09	950	89.3	81.9	7000
RC770SPF-7529	3.0~24.0V	20.4V Constant	24500	2.5	21520	17.90	1400	309.0	84.6	11500
RC7705SPF-8022	3.0~24.0V	12.0V Constant	18500	3.0	16180	20.50	1250	207.5	84.3	10000
RC770SPF-8025	3.0~24.0V	20.4V Constant	28500	3.5	24580	21.65	1650	416.0	94.2	12000

**CHARACTERISTIC CURVES:**


Shenzhen Nostop Electric Co., Ltd

 Building C#, Gangzhihong Science & Technology Industrial Park, Qinglong Road, Longhua Town,  
 Shenzhen City, Guangdong Province, 518107 P.R.China

TEL: +86.755. 2983 4766, 2815 9775, 2815 9776 FAX: +86.755. 2967 4299

 E-mail: [stony@nostop.cn](mailto:stony@nostop.cn)

 URL: <http://www.nostopmotor.com>, <http://www.nostop.cn>