

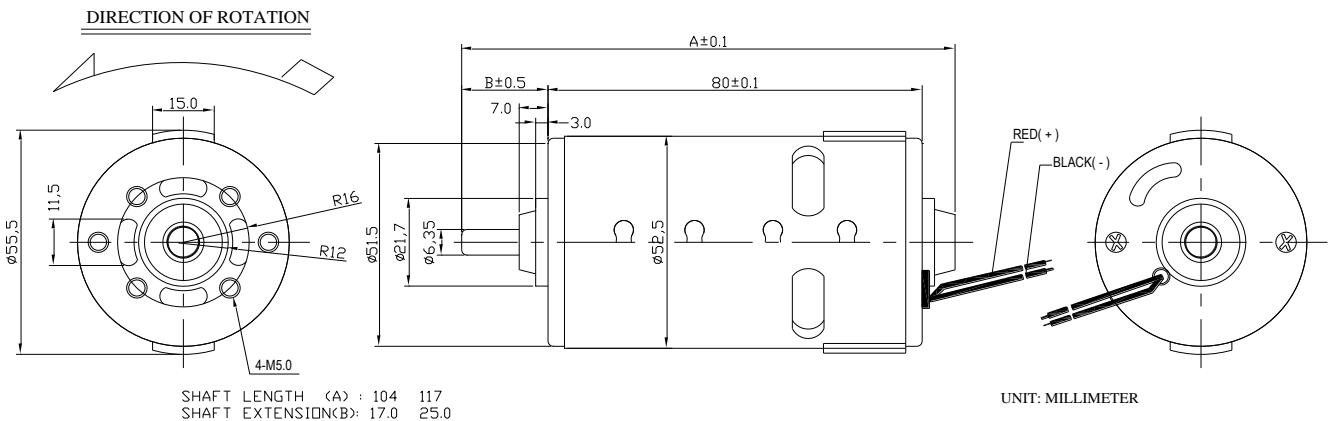


**Features:**  
\* Carbon Brush Motor.

**Weight:**  
617g (APPROX)

**Typical Application:**

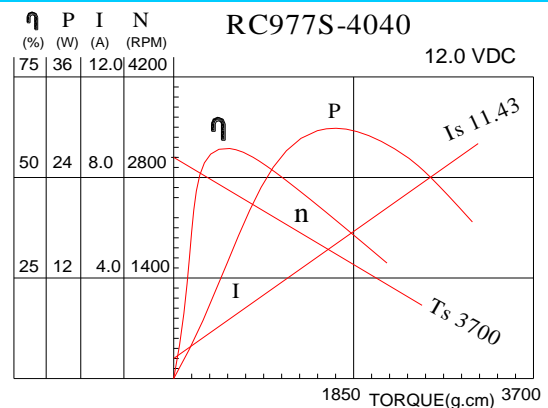
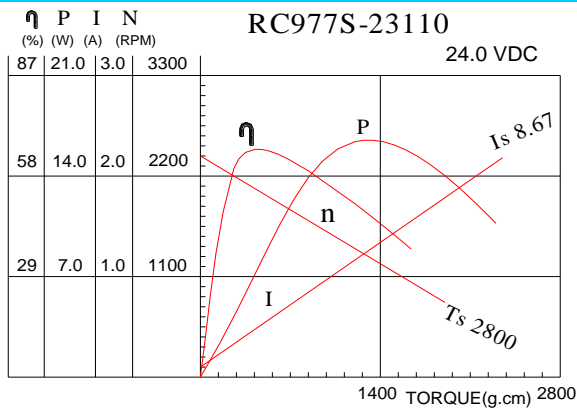
1. Power Tools: Compressor/ Bilge Blower/ String Trimmer/ Drill
2. Automotive Products: Secondary Air Pump / Circulation Pump
3. Toys And Models: Toys
4. Household Appliances: Vacuum Cleaner



**ELECTRICAL SPECIFICATION CHART: (The specifications can be changed as customers' requirement)**

Model	Voltage		At No Load		At Max Efficiency					Stall Torque G.CM
	Workable Range	Nominal	Speed RPM	Current A	Speed RRPM	Current A	Torque G.CM	Output W	Eff. %	
RC977S-23110	12.0~30.0	24.0V Constan	2550	0.16	1980	0.58	500	9.9	71.0	2800
RC977S-25110	12.0~30.0	24.0V Constan	2670	0.21	2173	0.97	608	13.6	58.3	3267
RC977S-3190	12.0~30.0	24.0V Constan	2900	0.25	2372	1.10	710	17.3	65.5	3900
RC977S-3550	12.0~30.0	24.0V Constan	4800	0.50	3876	2.15	60	26.2	50.8	3400
RC977S-3855	12.0~30.0	15.0V Constan	2700	0.35	2154	1.39	650	14.4	69.1	3200
RC977S-4040	12.0~30.0	12.0V Constan	3190	0.51	2587	2.60	695	16.4	59.0	3695
RC977S-4540	12.0~30.0	12.0V Constan	3210	0.52	2630	2.45	694	18.7	63.7	3695
RC977S-5038	12.0~30.0	24.0V Constan	6800	0.60	5605	2.75	580	33.3	50.5	3300

**CHARACTERISTIC CURVES:**



Shenzhen Nostop Electric Co., Ltd

Building C#, Gangzhilong Science & Technology Industrial Park, Qinglong Road, Longhua Town,  
Shenzhen City, Guangdong Province, 518107 P.R.China

TEL: +86.755. 2983 4766, 2815 9775, 2815 9776 FAX: +86.755. 2967 4299

E-mail: [stony@nostop.cn](mailto:stony@nostop.cn)

URL: <http://www.nostopmotor.com>, <http://www.nostop.cn>