

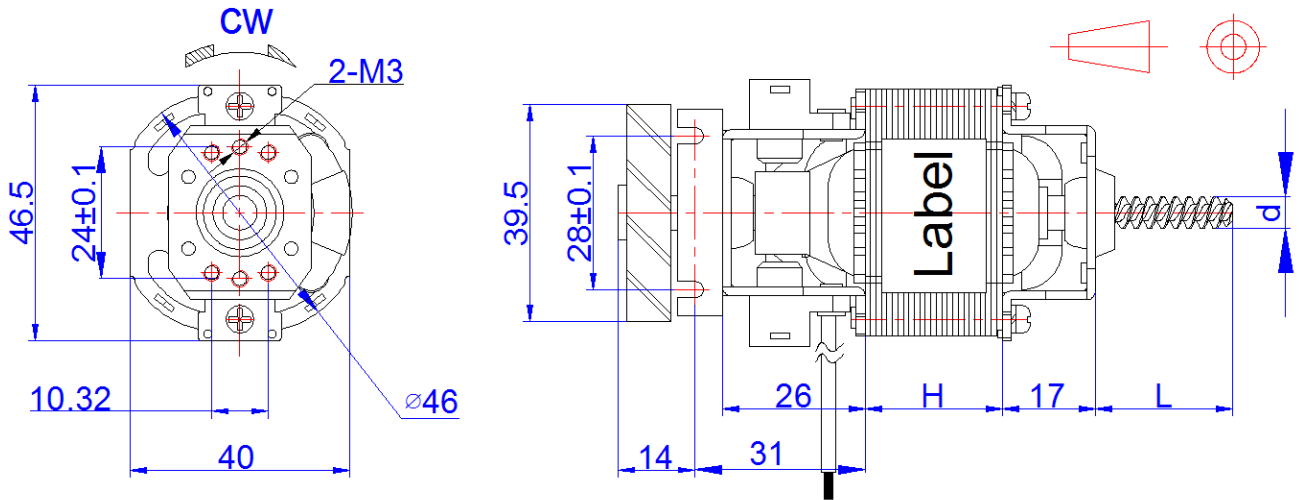
**Brief Introduction :**

1. The rated voltage (frequency) can be 100-240 VAC (50, 60, or 50/60Hz).
2. The standard shaft diameter (d) can be:  $\varnothing 4.5\text{mm}$ ,  $\varnothing 5\text{mm}$  or  $\varnothing 6.35\text{mm}$ , with D-cuts, threads, etc., and the shaft length (L) can be any as needed.
3. The stator stack thickness (H) can be any from 8mm to 50mm.
4. The brackets can be made either by steel sheet or by zinc-aluminum alloy.
5. The bearing can be either of sleeve bearings or of ball bearings as needed.
6. The motor rotation direction can be either in CW or in CCW as needed.
7. Thermal protector or fuse are both available for over-heating protection.
8. Chokes or capacitors are both available for EMI purpose.
9. The motor complies with IEC60034-1 standard. RoHS compliant is available.

**Typical Applications :**

Paper Shredder, Tin Machine, Meat Grinder, Window Machine, etc

**Outline Dimensions (All dimensions in millimeter) :**



Indication of Letters: d: Shaft Diameter H: Stator Stack thickness L: Shaft Extended Length

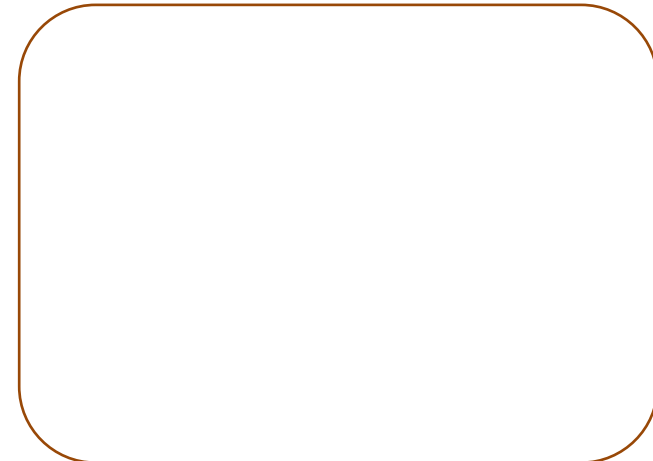
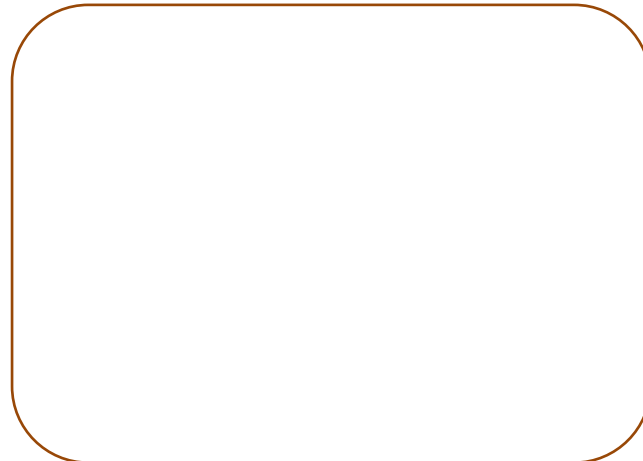
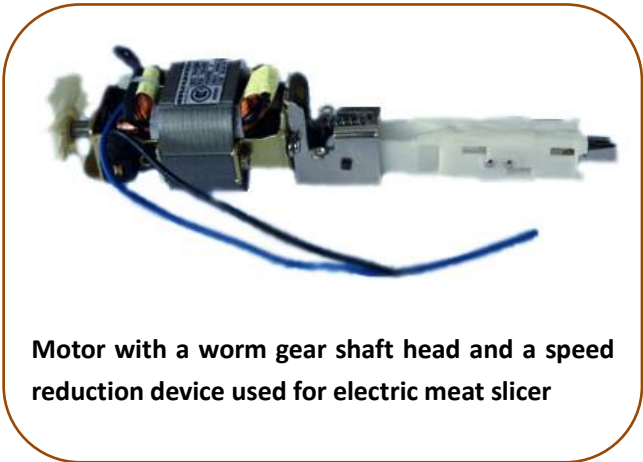
**Remarks:** Only the dimensions marked in letters are changeable as needed. Other dimensions are fixed.

**Technical Performances (tested under room temperature)**

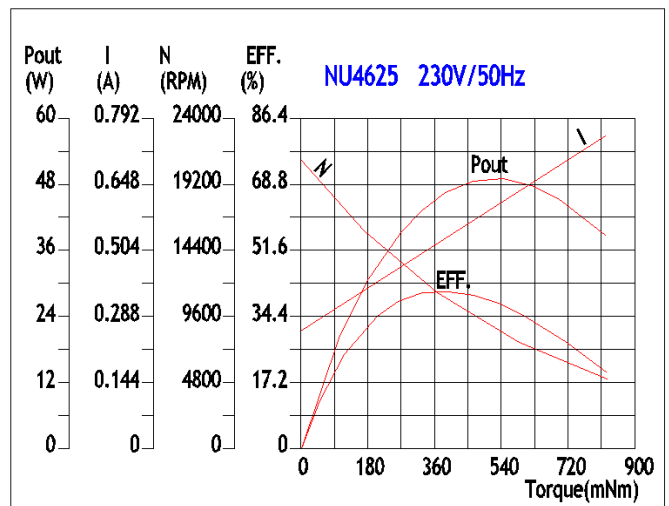
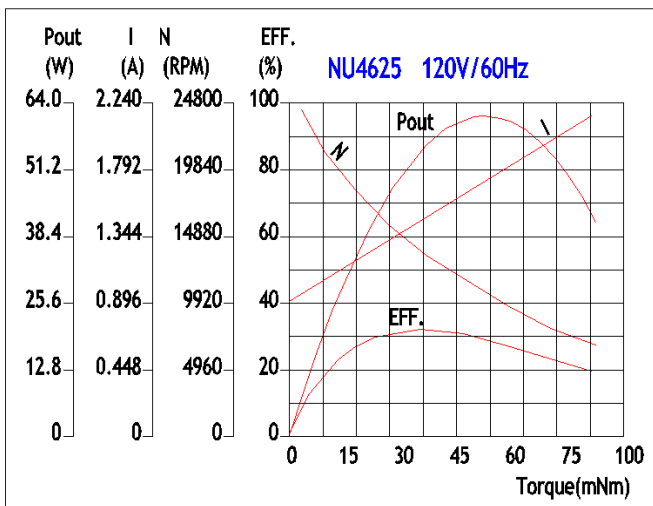
Specs	Stack Height	Rated Supply		@ No Load		At Max Efficiency					
		Volt.	Freq.	Speed	Current	P(in)	Current	Speed	Torque	P(out)	Eff.
Model	(mm)	(VAC)	(Hz)	(rpm)	(Amp)	(Watts)	(Amp)	(rpm)	(mNm)	(Watts)	(Amp)
NS4615	15	220	50	16500	0.33	102.86	0.45	6760	14	10.80	10.5
NS4620	20	110	60	14000	0.38	88.58	1.00	17000	42	25.60	28.9
		120	60	14000	0.45	68.08	0.74	13800	20	16.34	24.0
NS4622	22	230	50	17900	0.23	105.88	0.48	7450	30	23.40	22.1
NS4625	25	120	60	27500	0.82	176.69	1.65	13500	40	56.54	32.0
		230	50	21000	0.25	95.10	0.42	12820	38	44.60	46.9
NS4628	28	120	60	17200	0.44	133.00	1.18	6350	50	33.25	25.0
NS4630	30	120	60	16350	0.05	115.40	1.05	6370	50	33.35	28.9
		230	50	18400	0.23	108.02	0.50	9000	40	33.70	34.9
NS4635	35	120	60	21000	0.61	123.39	1.13	8250	40	34.55	28.0

**Remarks:** This catalog listed just some typical models. The performances as above are just for reference only. We can adjust our motor specifications according to what the customer needs. OEM & ODM are both welcome.

Pictures of other types of brackets and shapes :



Characteristics Curve of Some Typical Models (for references only) :



**Remarks:** This catalog listed just some typical models. The performances as above are just for reference only. We can adjust our motor specifications according to what the customer needs. OEM & ODM are both welcome.