

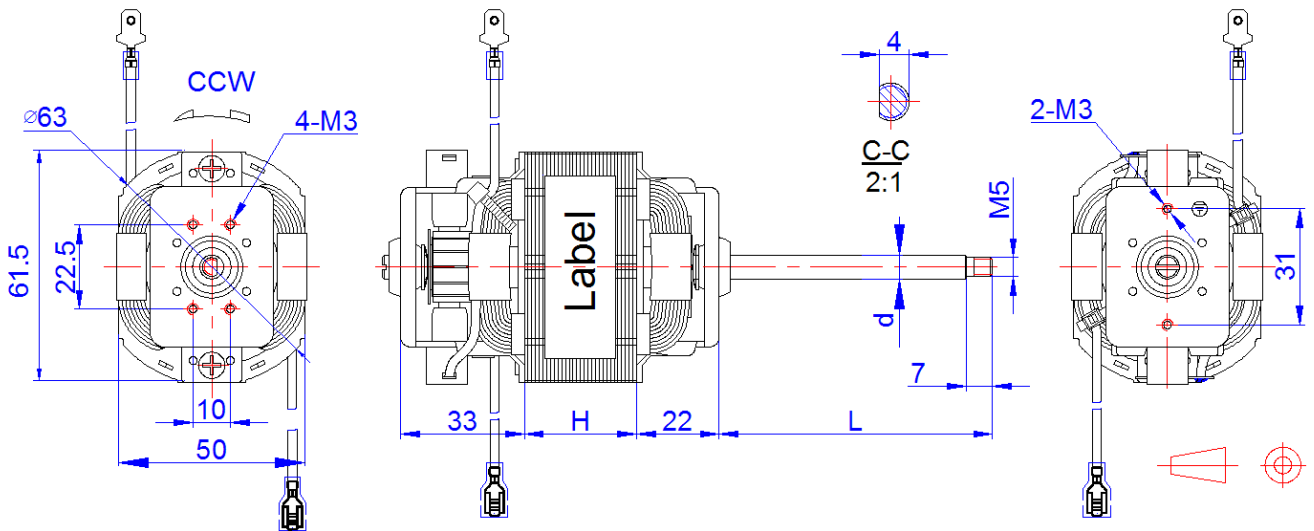
Brief Introduction :

1. The rated voltage (frequency) can be 100-240 VAC (50, 60, or 50/60Hz).
2. The shaft diameter (d) can be: $\varnothing 4.5\text{mm}$, $\varnothing 5\text{mm}$ or $\varnothing 6.35\text{mm}$ or as needed, with D-cuts, threads, etc., and its length (L) can be any as needed.
3. The stator stack thickness (H) can be any from 8mm to 50mm.
4. The brackets can be made either by steel sheet or by zinc-aluminum alloy.
5. The bearing can be either sleeve bearings or ball bearings as needed.
6. The motor rotation direction can be either in CW or in CCW as needed.
7. Thermal protector or fuse are both available for over-heating protection.
8. Chokes or capacitors are both available for EMI purpose.
9. The motor complies with IEC60034-1 standard. RoHS compliant is available.

Typical Applications :

Paper Shredder, Tin Machine, Blender, Juicer, Meat Grinder, etc

Outline Dimensions (All dimensions in millimeter) :



Indication of Letters: d: Shaft Diameter H: Stator Stack thickness L: Shaft Extended Length

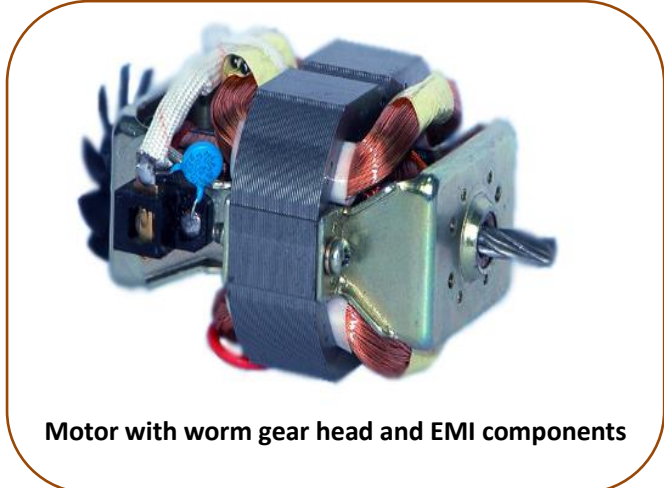
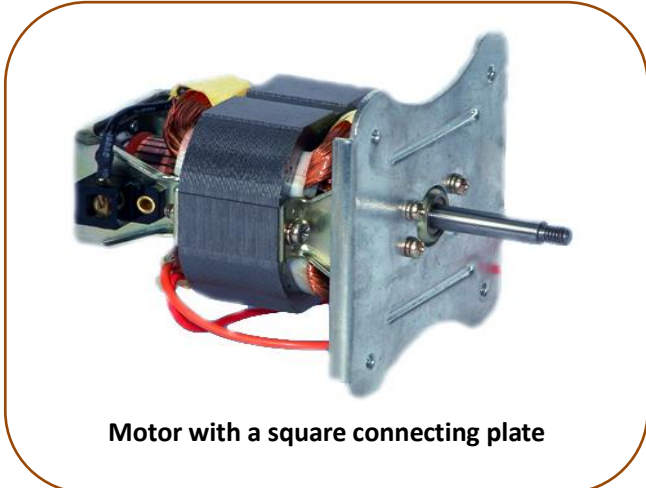
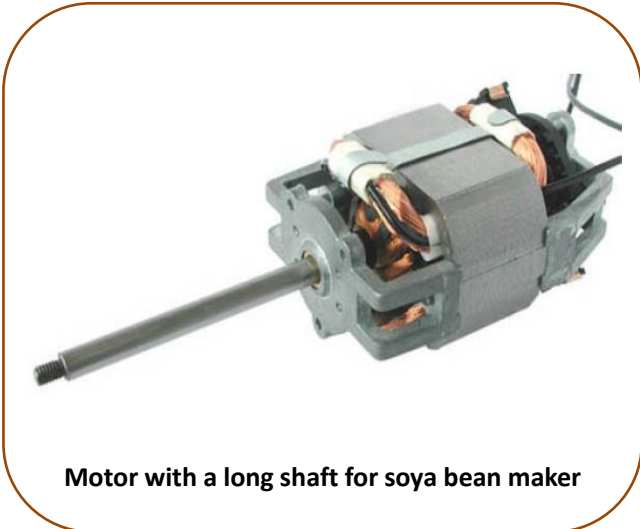
Remarks: Only the dimensions marked in letters are changeable as needed. Other dimensions are fixed.

Technical Performances (tested under room temperature) :

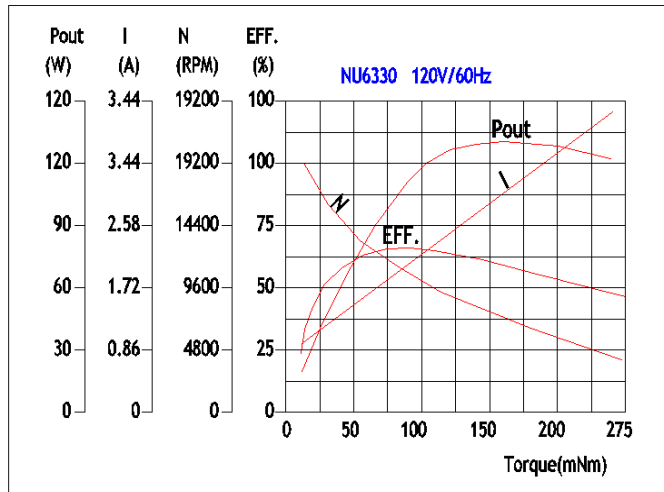
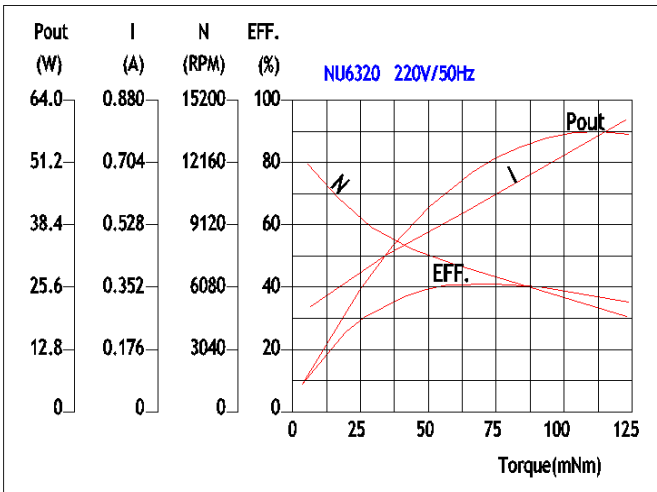
Specs	Stack Height	Rated Supply		@ No Load		At Max Efficiency				At Max Output Power			
		Volt.	Freq.	Speed	Current	Speed	Current	Torque	Eff.	Current	Speed	Torque	P (out)
Model	(mm)	(VAC)	(Hz)	(rpm)	(Amp)	(rpm)	(Amp)	(mNm)	(%)	(Amp)	(rpm)	(mNm)	(Watts)
NS6320	20	110	60	15000	0.45	6445	1.15	72	36.5	1.36	5415	100	56.5
		220	50	15000	0.26	6562	0.62	77	38.6	0.73	5328	107	59.8
		230	50	15000	0.24	6635	0.60	81	39.1	0.68	5420	115	65.5
NS6325	25	120	60	17500	0.58	8280	1.43	75	38.1	1.79	6250	113	73.6
		220	50	17500	0.30	8465	0.75	81	42.5	0.88	6873	115	82.4
		110	60	22000	0.79	7800	2.01	126	46.7	2.47	6500	168	114.6
NS6330	30	220	50	22000	0.48	8900	1.10	125	47.9	1.61	6000	217	138.6
		240	50	22000	0.41	9300	0.87	110	52.1	1.39	6300	234	155.8
		120	60	15600	0.71	8000	1.90	137	50.6	2.77	5200	253	138.2

Remarks: This catalog listed just some typical models. The performances as above are just for reference only. We can adjust our motor specifications according to what the customer needs. OEM & ODM are both welcome.

Pictures of other types of brackets and shapes :



Characteristics Curve of Some Typical Models (for references only) :



Remarks: This catalog listed just some typical models. The performances as above are just for reference only. We can adjust our motor specifications according to what the customer needs. OEM & ODM are both welcome.