

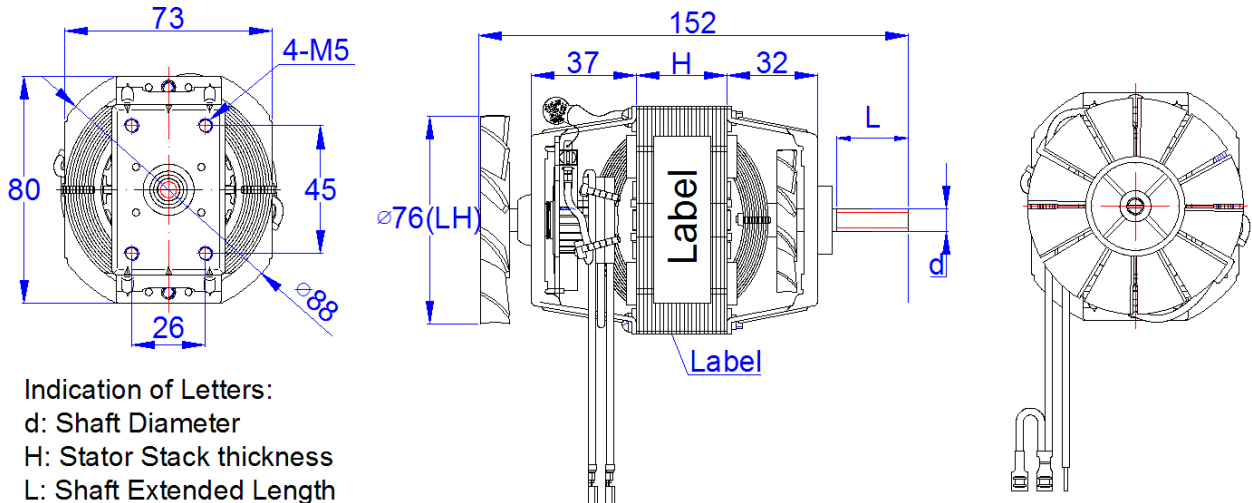
Brief Introduction :

1. The rated voltage (frequency) can be 100-240 VAC (50, 60, or 50/60Hz).
2. The shaft diameter (d) can be: $\varnothing 4.5\text{mm}$, $\varnothing 5\text{mm}$ or $\varnothing 6.35\text{mm}$, with D-cuts, threads, etc., and the shaft length (L) can be any as needed.
3. The stator stack thickness (H) can be any from 8mm to 50mm.
4. The brackets can be made either by steel sheet or by zinc-aluminum alloy.
5. The bearing can be either of sleeve bearings or of ball bearings as needed.
6. The motor rotation can be either in CW or CCW direction as needed.
7. Thermal protector or fuse are both available for over-heating protection.
8. Chokes or capacitors are both available for EMI purpose.
9. Motors comply with IEC60034-1 standard. RoHS compliant is available.

Typical Applications :

Food Process, Blender, Meat Grinder, Juicer Extractor, etc.

Outline Dimensions (All dimensions in millimeter) :



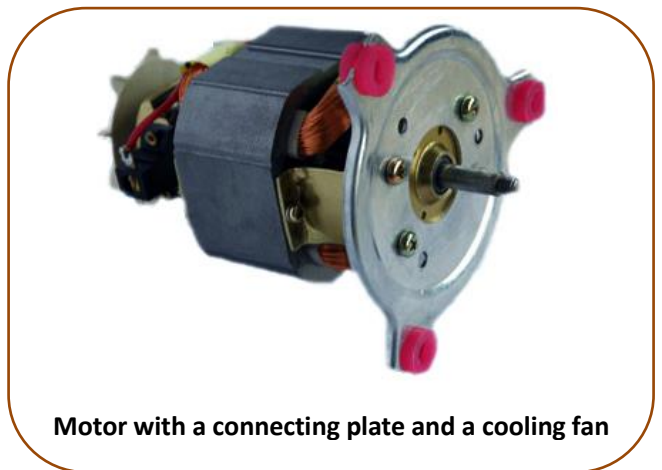
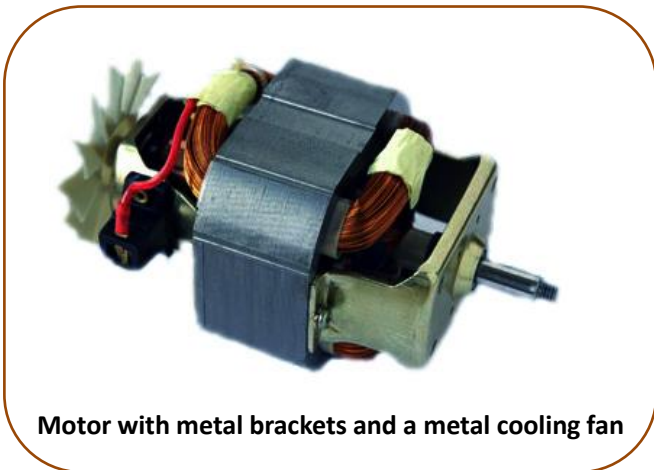
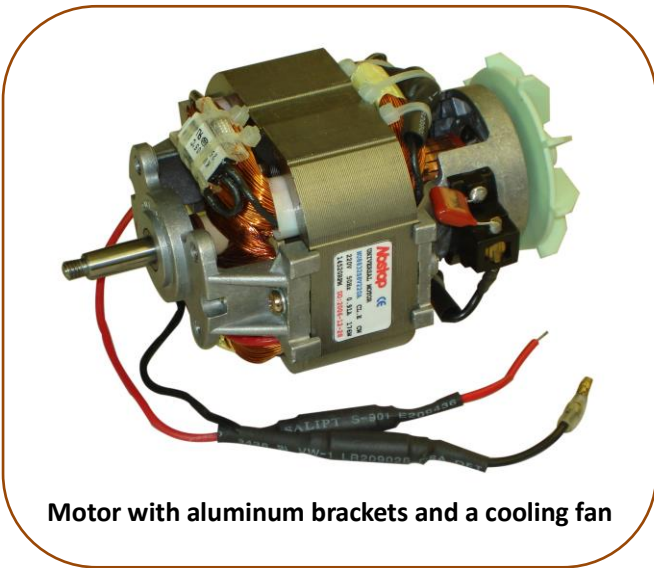
Remarks: Only the dimensions marked in letters are changeable as needed. Other dimensions are fixed.

Technical Performances (tested under room temperature) :

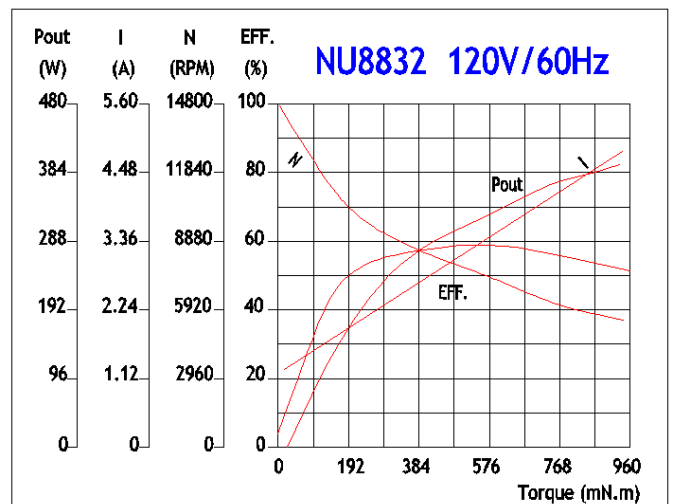
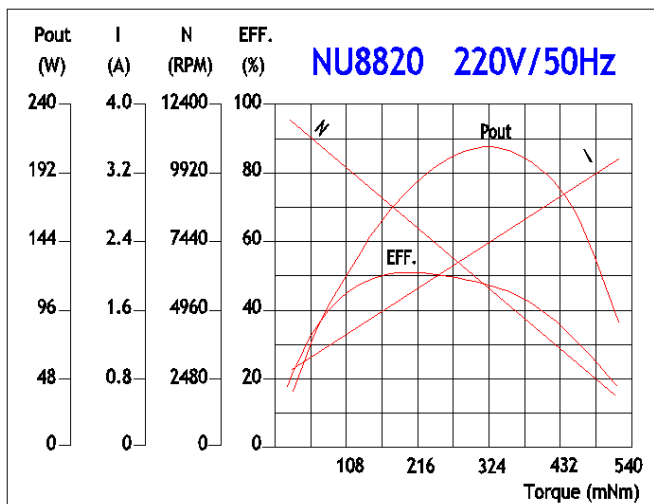
Specs Model	Stack Thickness (mm)	Rated Supply		Speed Level	@ No Load		At Max Efficiency					
		Volt. (VAC)	Freq. (Hz)		Speed (rpm)	Current (Amp)	P (in) (Watts)	Current (Amp)	Speed (rpm)	Torque (mNm)	P (out) (Watts)	Eff. (Amp)
NS8825 (3 Speeds)	25	127	60	High	21000	1.05	291.7	2.40	11812	112	138.6	47.5
				Medium	20500	1.00	257.9	2.14	11812	129	159.9	62.0
				Low	19000	0.95	236.4	2.00	11593	118	143.0	60.5
NS8825 (3 Speeds)	25	220	50	High	21000	0.58	286.4	1.37	12161	140	178.2	62.2
				Medium	20500	0.55	257.1	1.24	12253	120	153.9	59.9
				Low	19000	0.53	257.1	1.26	11451	123	146.9	57.1
NS8820	20	220	50	-	13300	0.99	435.3	2.00	7900	240	198.5	45.6
NS8828	28	220	50	-	14500	0.79	334.9	1.53	8500	190	169.1	50.5
NS8832	32	220	60	-	15000	0.80	468.0	2.10	8600	250	225.1	48.0
NS8835	35	220	50	-	16000	1.20	568.4	4.00	9500	280	278.5	49.0
NS8840	40	220	60	-	14000	0.60	295.3	1.35	6500	230	156.5	53.0

Remarks: This catalog listed just some typical models. The performances as above are just for reference only. We can adjust our motor specifications according to what the customer needs. OEM & ODM are both welcome.

Pictures of other types of brackets and shapes :



Characteristics Curve of Some Typical Models (for references only) :



Remarks: This catalog listed just some typical models. The performances as above are just for reference only. We can adjust our motor specifications according to what the customer needs. OEM & ODM are both welcome.