

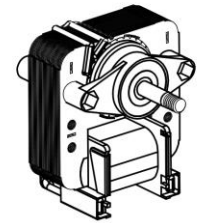
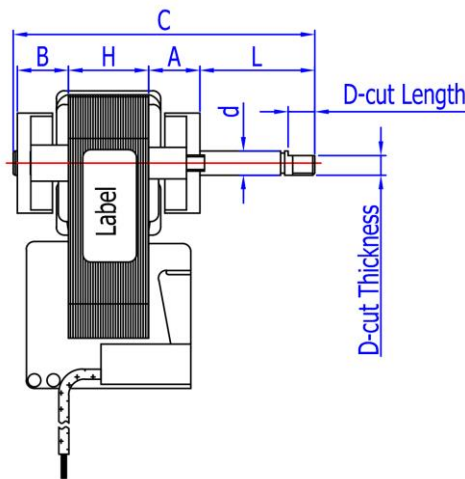
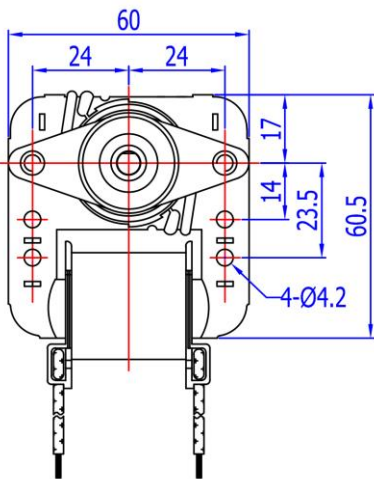
**Brief Introduction :**

1. The rated voltage and the frequency can be any as needed.
2. The shaft diameter (d) can be:  $\varnothing 3.17$ ,  $\varnothing 4$ ,  $\varnothing 4.5$ ,  $\varnothing 5$ ,  $\varnothing 5.5$ ,  $\varnothing 6$ ,  $\varnothing 6.35$ mm, with D-cuts, threads, etc., and the shaft length (L) can be any as needed.
3. The stator thickness (H) can be any from 8mm to 50mm.
4. The bearing brackets can be made by either steel or zinc-aluminum alloy.
5. The bearing can be either sleeve bearings or ball bearings as needed.
6. The rotation of the motor can be either in CW or in CCW as needed.
7. RoHS compliant is available.
8. Lead out by terminals is also available

**Typical Application :**

Air-conditioner, Air-purifier, Air Pump, Blower, Fan Heater, Hand-dryer, Humidifier, Oven, Ventilator, Water Pump, etc

**Outline Dimensions (All dimensions in millimeter) :**



Indication of Letters:

- A: Front Bracket Height
- B: Rear Bracket Height
- C: Shaft Total Length
- d: Shaft Diameter
- H: Stator Stack Height
- L: Shaft Extended Length

**Remarks:** only the dimensions marked in letters are changeable as needed. Other dimensions are fixed.

**Technical Performances (tested under room temperature) :**

Specs / Model	Stack Height (H) (mm)	Rated Supply		No Load			At Max. Efficiency.				At Stall	
		Volt. (VAC)	Freq. (Hz)	Current (Amp)	Speed (rpm)	Power (Watts)	Current (Amp)	Speed (rpm)	Power (Watts)	Torque (mNm)	Current (Amp)	Power (Watts)
NSP6010	10	220	50	0.035	2780	4.4	0.043	1078	5.78	3.6	0.044	6.1
		230	50	0.065	2750	6.9	0.067	2040	7.45	3.9	0.073	8.6
NSP6012	12	230	50	0.104	2800	11.2	0.180	2300	16.7	9.6	0.123	16.2
NSP6013	13	230	50	0.120	2850	14.5	0.134	2340	18.2	14.3	0.135	20.5
		120	60	0.325	3250	16.0	0.350	2680	21.3	12.7	0.390	24.0
NSP6015	15	230	50	0.142	2780	15.8	0.157	2218	20.3	13.2	0.184	23.0
		120	60	0.790	3300	32.0	0.822	2616	44.2	25.2	0.880	48.0
NSP6016	16	120	60	0.300	3300	17.5	0.380	2700	23.5	19.1	0.410	25.7
NSP6020	20	220	60	0.155	3400	18.5	0.165	2530	25.6	11.8	0.230	26.5
NSP6025	25	220	50	0.560	2850	57.0	0.670	2300	75.8	51.8	0.670	85.0
NSP6030	30	220	50	0.240	2850	26.5	0.290	2200	38.3	25.5	0.350	44.0
NSP6038	38	220	50	0.680	2900	56.2	0.630	2500	89.2	75.8	0.990	110.0

**Remarks:** This catalog listed just some typical models. The performances as above are just for reference only. We can adjust our motor specifications according to what the customer needs. OEM & ODM are both welcome.