



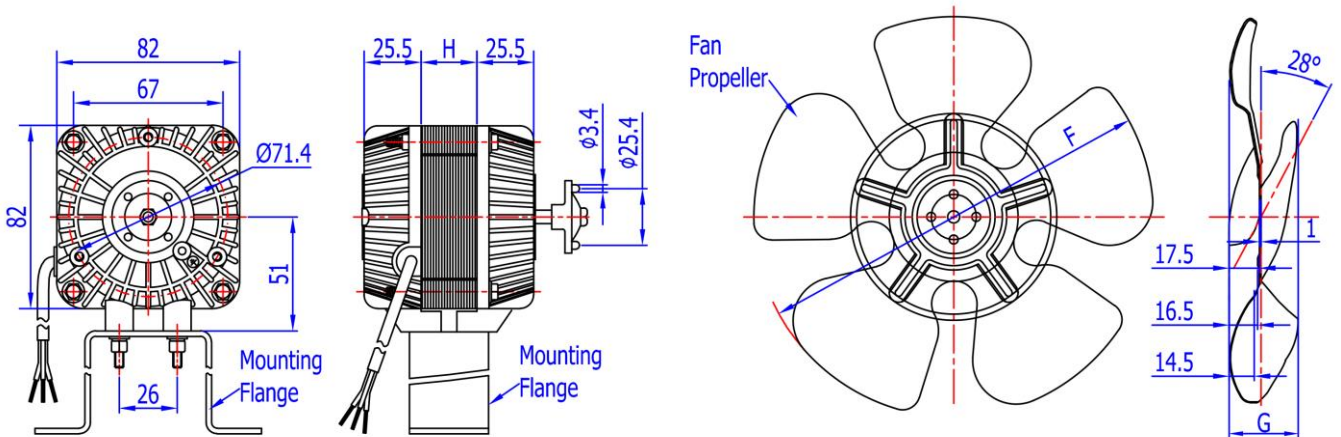
Brief Introduction :

1. The rated voltage and the frequency can be any as needed.
2. The output power of the motor can be from 5 - 40W (approx.).
3. The shaft diameter (d) can be: $\varnothing 6\text{mm}$ or $\varnothing 7.8\text{mm}$, with D-cuts, threads, etc., and the shaft length (L) can be any as needed.
4. The stator thickness (H) can be any from 10mm to 50mm.
5. The bearing can be either sleeve bearing or ball bearing as needed.
6. The brackets can be made either by steel or by zinc-aluminum alloy.
7. Motor rotation can be either CW or CCW as needed.
8. CE approved. RoHS compliant is available.

Typical Application :

Freezer Fan, Heater, Hand Dryer, Air Purifier, Ventilator, etc

Outline Dimensions (All dimensions in millimeter) :



Remarks: only the dimensions marked in letters are changeable as needed. Other dimensions are fixed.

Technical Performances (tested under room temperature) :

Specs Model	Output Power (Watts)	Power Supply		At Rated Load				Fan Blade Dia. (F) (mm)	Stack Height (H) (mm)	Net Weight (Kgs)
		Volt. (VAC)	Freq'y (Hz)	Current (Amp)	Speed (rpm)	Power (Watts)	Airflow (m ³ /h)			
NSP8213	5	230	50	0.21	1300	33	360	$\varnothing 200$	13	0.8
	6	120	60	0.55	1550	33	430			
NSP8220	7	230	50	0.23	1300	38	480	$\varnothing 230$	20	1.1
	10	230	60	0.80	1550	55	620			
NSP8225	16	230	50	0.45	1300	70	880	$\varnothing 254$	25	1.4
	18	120	60	1.01	1550	70	1050			
NSP8230	18	230	50	0.50	1300	73	1050	$\varnothing 254$	30	1.5
		120	60	1.10	1450	75				
NSP8240	25	230	50	0.70	1300	95	1250	$\varnothing 300$	40	1.8
		120	60	1.40	1450	100				
NSP8245	34	230	50	0.85	1300	120	1400	$\varnothing 300$	45	2.0
		120	60	1.50	1450	110				

Remarks: This catalog listed just some typical models. The performances as above are just for reference only. We can adjust our motor specifications according to what the customer needs. OEM & ODM are both welcome.