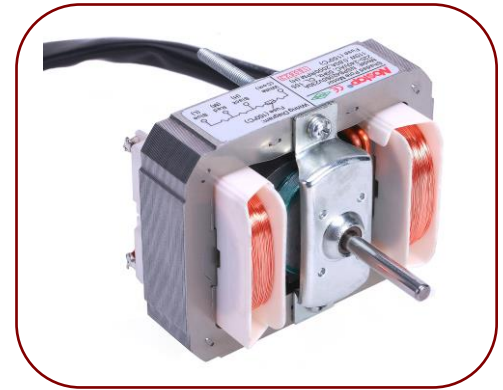


**Brief Introduction :**

1. The rated voltage can be any during the range of 100V - 240VAC.
2. The motor speed can be 1, 2, 3 or 4 speeds as needed.
3. The thermal insulation system can be any as needed.
4. The stator thickness (H) can be any from 12 to 50mm.
5. The shaft diameter (d) can be:  $\varnothing 5$ ,  $\varnothing 5.5$ ,  $\varnothing 6$  or  $\varnothing 6.35$ mm or others, with D-cuts, threads, etc. The shaft length (L) can be any as needed.
6. The bearing can be either sleeve bearing or ball bearing as needed.
7. The brackets can be made by either steel or zinc-aluminum alloy.
8. Motor rotation can be either CW or CCW as needed.
9. CE approved. RoHS compliant is available.

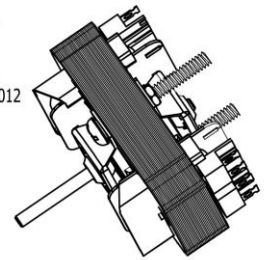
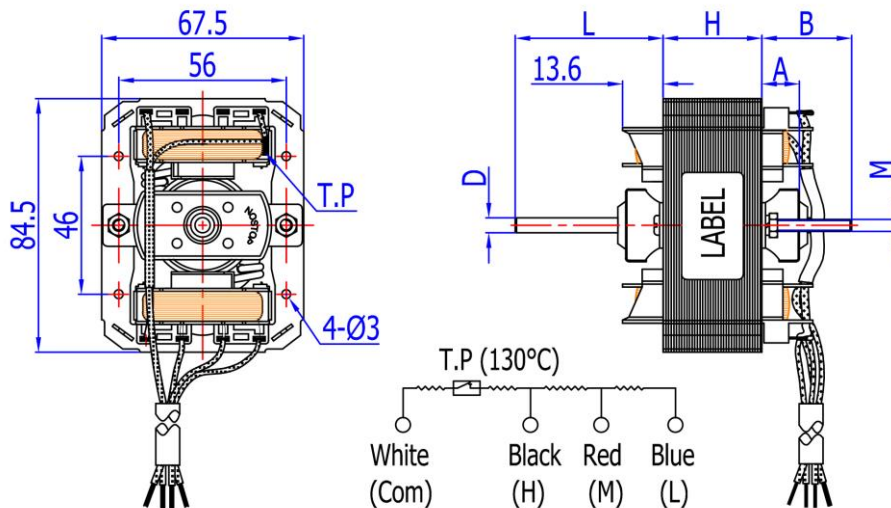


**Typical Application :**

Kitchen Range Hood Fan, Hand Dryer, Air Purifier, Ventilator, etc

**Outline Dimensions (All dimensions in millimeter) :**

CE Certificate No.: WT053001847



Indication of Letters:

- A: Rear Bracket Height
- B: Screw Extended Length
- D: Shaft Diameter
- H: Stator Stack Height
- L: Shaft Extension Length
- M: Mounting Screw (M4, M5, Etc)

**Remarks:** only the dimensions marked in letters are changeable as needed. Other dimensions are fixed.

**Technical Performances (tested under room temperature) :**

CE Certificate No.: WT053001847

Specs Models	Stack Height (mm)	Rated Supply		No Load (High Speed)			At Max. Efficiency (High Speed)				At Stall	
		Volt. (VAC)	Freq'y (Hz)	Current (Amp)	Speed (rpm)	Power (Watts)	Current (Amp)	Speed (rpm)	Power (Watts)	Torque (mNm)	Current (Amp)	Power (Watts)
NSP8420	H20	230	50	0.65	2800	75	0.66	2375	82	62	0.85	124
NSP8422	H22	230	50	0.65	2800	60	0.83	2000	99	71	0.90	108
NSP8425	H25	230	50	0.65	2850	62	0.69	2340	95	82	0.86	117
NSP8428	H28	230	50	0.56	2850	67	0.64	2300	94	75	1.06	135
NSP8430	H30	230	50	0.56	2850	65	0.63	2470	90	76	0.81	112
NSP8433	H33	230	50	0.79	2800	86	0.86	2350	120	103	1.15	150
NSP8440	H40	230	50	0.75	2900	71	0.95	2450	135	115	1.26	144
NSP8442	H42	230	50	0.74	2900	76	1.18	2422	158	154	1.25	159
NSP8450	H50	230	50	1.50	2900	138	1.85	2450	236	205	2.47	310

**Remarks:** This catalog listed just some typical models. The performances as above are just for reference only. We can adjust our motor specifications according to what the customer needs. OEM & ODM are both welcome.