
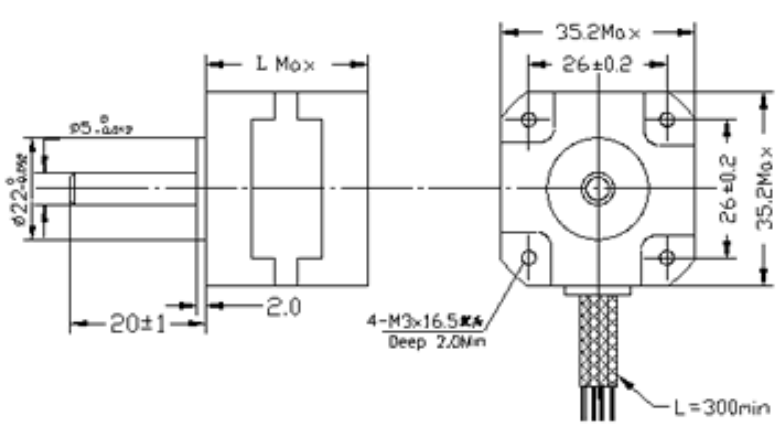
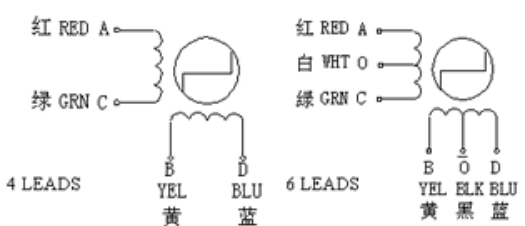



General Specifications		Model: 35BYG
Step Accuracy	±5%	
Temperature Rise	80°C Max.	
Ambient Temperature Range	20°C~+50°C	
Insulation Resistance	100MΩ Min.50V DC	
Dielectric Strength	500V AC 1minute	
Radial Play	0.02mm Max.(450g Load)	
End Play	0.08mm Max.(450g Load)	
Rotation	CW (See from Front Flange)	

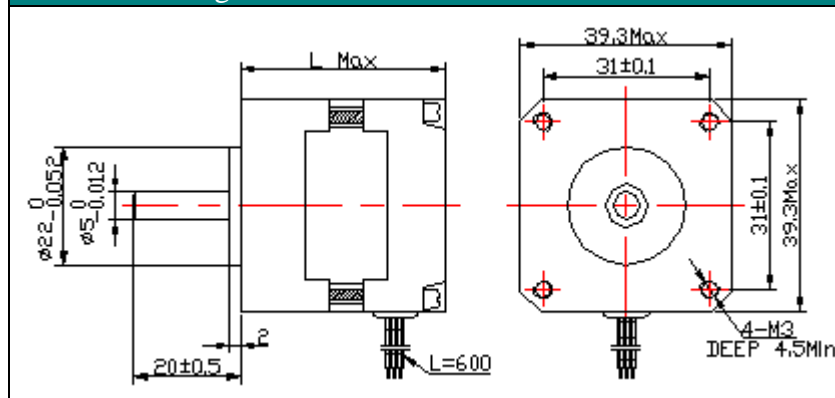
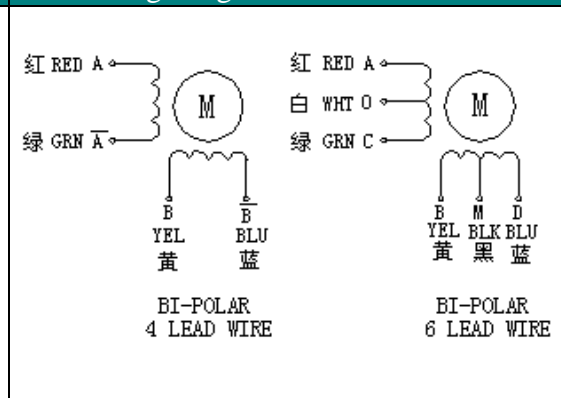
Main Technical Data:										
Model	Step Angle	Motor Length	Holding Torque	Lead Wire	Rated Current	Phase Resistance	Phase Inductance	Rotor Inertia	Detent Torque	Motor Weight
	(°)	(mm)	(N.m)	(NO.)	(A)	(Ω)	(mH)	(g.cm <sup>2</sup> )	(g.cm)	(Kg)
35BYG101	1.8	20	0.05	6	0.4	25	15	8	60	100
35BYG102	1.8	20	0.04	6	0.5	13	3.5	8	60	100
35BYG103	1.8	20	0.065	4	0.73	9	13	8	60	100
35BYG202A	1.8	26	0.03	6	0.16	18	5.2	10	60	0.13
35BYG201	1.8	26	0.035	6	0.25	45	13	10	60	130
35BYG203	1.8	26	0.09	4	1.5	1.6	1.4	10	60	130
35BYG301	1.8	28	0.08	4	0.5	20	19	10	80	140
35BYG302	1.8	28	0.09	6	0.4	28	10	10	80	140
35BYG303	1.8	28	0.05	4	0.54	15	7.5	10	80	140


Outline Drawing:	Connecting Diagram:
	

General Specifications		Model: 39BYG
Step Accuracy	±5%	
Temperature Rise	80°C Max.	
Ambient Temperature Range	20°C~+50°C	
Insulation Resistance	100MΩ Min.50V DC	
Dielectric Strength	500V AC 1minute	
Radial Play	0.02mm Max.(450g Load)	
End Play	0.08mm Max.(450g Load)	
Rotation	CW (See from Front Flange)	

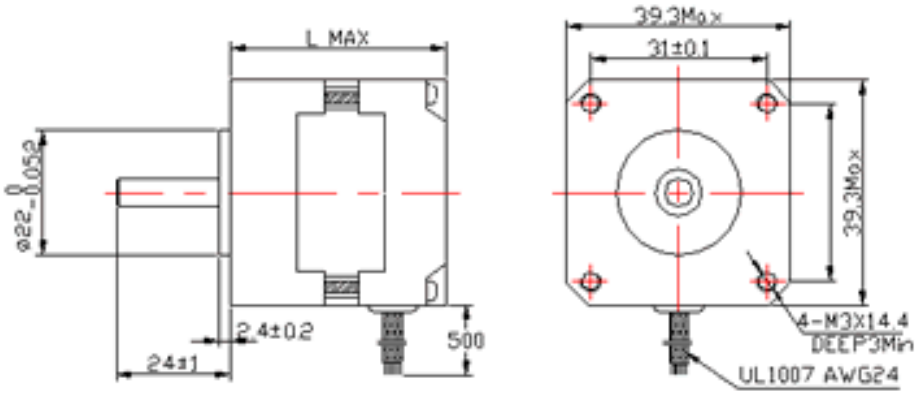
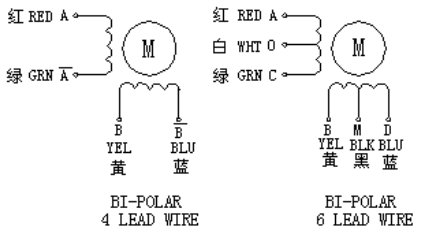
**Main Technical Data:**

Model	Step Angle	Motor Length	Holding Torque	Lead Wire	Rated Current	Phase Resistance	Phase Inductance	Rotor Inertia	Detent Torque	Motor Weight
	(°)	(mm)	(N.m)	(NO.)	(A)	(Ω)	(mH)	(g.cm <sup>2</sup> )	(g.cm)	(Kg)
39BYG001	1.8	20	0.05	6	0.4	25	40	11	50	0.12
39BYG002	1.8	20	0.065	6	0.5	13	12	11	50	0.12
39BYG003	1.8	20	0.08	4	0.48	25	23	11	50	0.12
39BYG300	1.8	20	0.1	4	0.48	25	26	11	50	0.12
39BYG201	1.8	34	0.11	6	0.16	75	50	20	120	0.18
39BYG204	1.8	34	0.22	4	0.4	30	35	20	120	0.18
39BYG205	1.8	34	0.21	4	0.4	24	25	20	120	0.18
39BYG210	1.8	34	0.16	6	0.8	7.6	4.5	20	120	0.18
39BYG400	1.8	38	0.2	6	0.8	7.2	3.5	24	180	0.2
39BYG601	1.8	44	0.28	4	0.30	40	100	40	250	0.25

**Outline Drawing:**

**Connecting Diagram:**


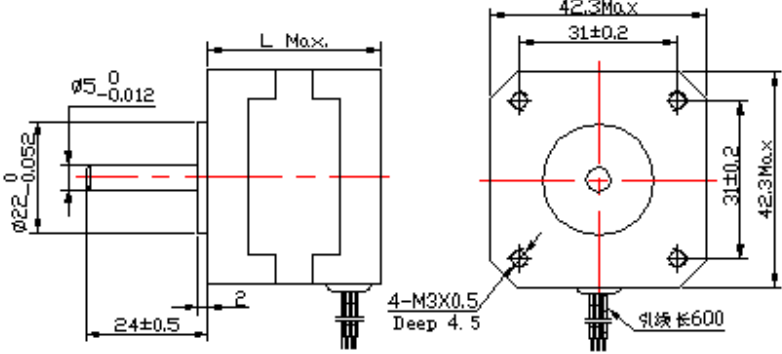
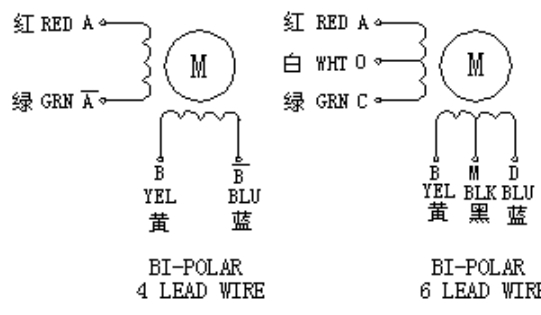
General Specifications:		Model: 39BYGHM
Step Accuracy	±5%	
Temperature Rise	80°C Max.	
Ambient Temperature Range	20°C~+50°C	
Insulation Resistance	100MΩ Min.50V DC	
Dielectric Strength	500V AC 1minute	
Radial Play	0.02mm Max.(450g Load)	
End Play	0.08mm Max.(450g Load)	
Rotation	CW (See from Front Flange)	


Main Technical Data:										
Model	Step Angle	Motor Length	Holding Torque	Lead Wire	Rated Current	Phase Resistance	Phase Inductance	Rotor Inertia	Detent Torque	Motor Weight
	(°)	(mm)	(N.m)	(NO.)	(A)	(Ω)	(mH)	(g.cm <sup>2</sup> )	(g.cm)	(Kg)
39BYGHM001	0.9	20	0.028	6	0.50	24.0	35.0	8	21	0.12
39BYGHM203	0.9	24	0.100	4	0.67	6.0	10.2	11	28	0.15
39BYGHM201	0.9	26	0.030	4	0.40	13.3	7.2	11	28	0.15
39BYGHM202	0.9	26	0.095	4	0.64	9.0	6.4	11	28	0.15

Outline Drawing:	Connecting Diagram:
	

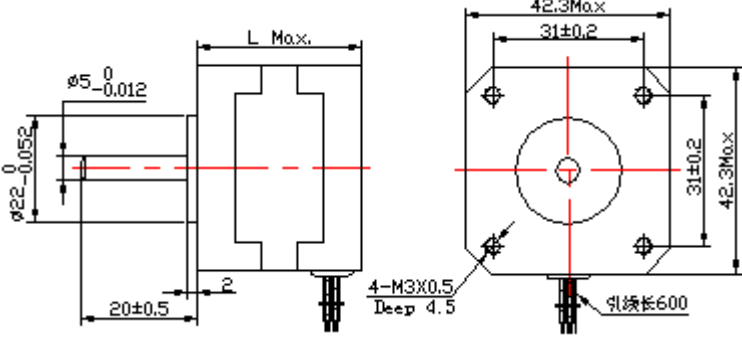
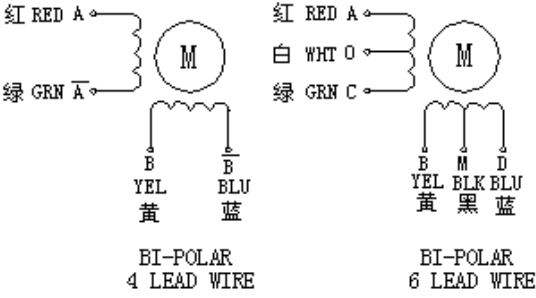
General Specifications:		Model: 42BYGHM
Step Accuracy	±5%	
Temperature Rise	80°C Max.	
Ambient Temperature Range	20°C~+50°C	
Insulation Resistance	100MΩ Min.50V DC	
Dielectric Strength	500V AC 1minute	
Radial Play	0.02mm Max.(450g Load)	
End Play	0.08mm Max.(450g Load)	
Rotation	CW (See from Front Flange)	


Main Technical Data:										
Model	Step Angle	Motor Length	Holding Torque	Lead Wire	Rated Current	Phase Resist.	Phase Inductance	Rotor Inertia	Detent Torque	Motor Weight
	(°)	(mm)	(N.m)	(NO.)	(A)	(Ω)	(mH)	(g.cm <sup>2</sup> )	(g.cm)	(Kg)
42BYGHM100W-01	0.9	28	0.1	4	0.425	8	11	25	150	0.16
42BYGHM203	0.9	34	0.158	6	0.3	40	37	34	200	0.22
42BYGHM206	0.9	34	0.14	6	1	3.6	3.3	35	200	0.22
42BYGHM207	0.9	34	0.23	4	2.4	1	1.4	35	200	0.22
42BYGHM601	0.9	40	0.26	6	1.2	3.3	3.2	54	250	0.28
42BYGHM604	0.9	40	0.36	4	1.68	1.65	3.2	54	250	0.28
42BYGHM608	0.9	40	0.26	6	2.13	1.05	6	54	220	0.28
42BYGHM802	0.9	48	0.32	6	0.8	7.5	6.3	68	280	0.35
42BYGHM805A	0.9	48	0.43	4	1	3.5	7.6	68	250	0.35
42BYGHM807	0.9	48	0.32	6	1.2	3.6	4.2	68	250	0.35
42BYGHM809	0.9	48	0.42	4	1.68	1.65	3.5	68	250	0.35

Outline Drawing:	Connecting Diagram:
	 <p>BI-POLAR 4 LEAD WIRE</p> <p>BI-POLAR 6 LEAD WIRE</p>

General Specifications:		Model: 42BYG
Step Accuracy	±5%	
Temperature Rise	80°C Max.	
Ambient Temperature Range	20°C~+50°C	
Insulation Resistance	100MΩ Min.50V DC	
Dielectric Strength	500V AC 1minute	
Radial Play	0.02mm Max.(450g Load)	
End Play	0.08mm Max.(450g Load)	
Rotation	CW (See from Front Flange)	

Main Technical Data:										
Model	Step Angle	Motor Length	Holding Torque	Lead Wire	Rated Current	Phase Resist.	Phase Inductance	Rotor Inertia	Detent Torque	Motor Weight
	(°)	(mm)	(N.m)	(NO.)	(A)	(Ω)	(mH)	(g.cm <sup>2</sup> )	(g.cm)	(Kg)
42BYG802	1.8	48	0.29	4	0.9	4.2	6.5	36	250	0.3
42BYGS200	3.75	34	0.077	6	0.2	60	20	20	150	0.2
42BYGS201A	3.75	34	0.065	4	0.45	19.2	9.6	20	150	0.2
42BYGS301B-01A	3.75	40	0.1	4	1.2	3	4	25	170	0.23
42BYG201	1.8	34	0.09	4	0.6	7	6	20	150	0.2
42BYG202	1.8	34	0.13	6	0.45	20	12	20	150	0.2
42BYG203	1.8	34	0.1	2 6	0.3	40	18	20	150	0.2
42BYG601	1.8	38	0.2	6	0.4	30	23	22	150	0.2
42BYG701	1.8	44	0.28	4	0.3	40	80	30	220	0.26
42BYG801	1.8	48	0.24	4	0.4	11.2	24	36	250	0.3

Outline Drawing:	Connecting Diagram:
	 <p>BI-POLAR 4 LEAD WIRE</p> <p>BI-POLAR 6 LEAD WIRE</p>

General Specifications		Model: 42BYGHW
Step Accuracy	±5%	
Temperature Rise	80°C Max.	
Ambient Temperature Range	20°C~+50°C	
Insulation Resistance	100MΩ Min.50V DC	
Dielectric Strength	500V AC 1minute	
Radial Play	0.02mm Max.(450g Load)	
End Play	0.08mm Max.(450g Load)	
Rotation	CW (See from Front Flange)	

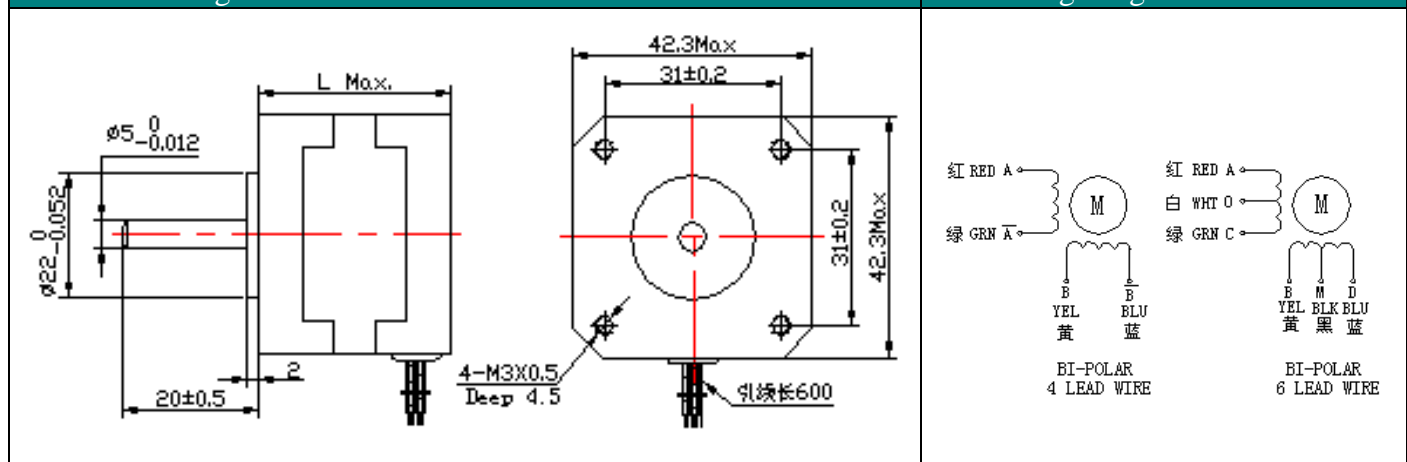
Main Technical Data:


Model	Step Angle	Motor Length	Holding Torque	Lead Wire	Rated Current	Phase Resist.	Phase Inductance	Rotor Inertia	Detent Torque	Motor Weight
	(°)	(mm)	(N.m)	(NO.)	(A)	(Ω)	(mH)	(g.cm <sup>2</sup> )	(g.cm)	(Kg)
42BYGHW300	1.8	31	0.1	6	1.1	3.7	1.8	25	180	0.18
42BYGHW203A	1.8	34	0.1	5	0.16	60	35	34	200	0.2
42BYGHW213-01	1.8	34	0.24	5	0.6	20	13	34	200	0.2
42BYGHW602-01	1.8	40	0.26	6	0.4	30	22	54	220	0.24
42BYGHW609	1.8	40	0.42	4	1.7	1.5	3.2	54	220	0.24
42BYGHW700B	1.8	44	0.28	4	0.3	40	67	50	250	0.3
42BYGHW801	1.8	48	0.32	6	0.4	30	25	68	280	0.34

42BYGHW xxx 外止口电机

Outline Drawing:

Connecting Diagram:



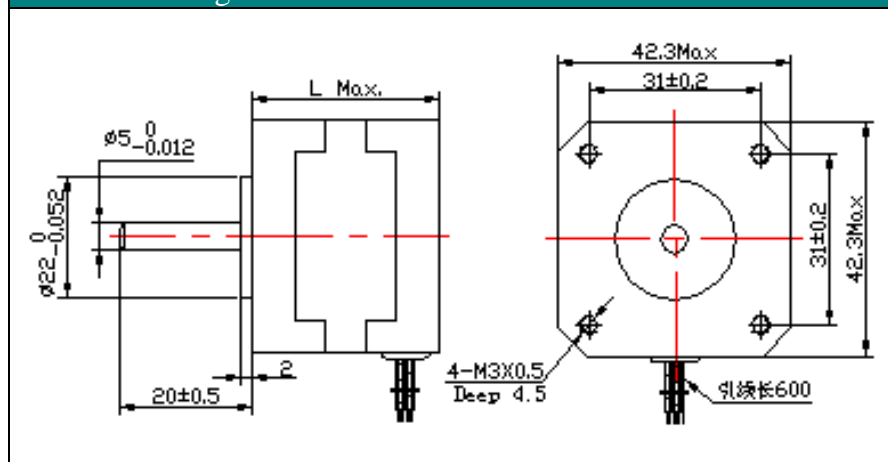
General Specifications		Model: 42BYGH
Step Accuracy	±5%	
Temperature Rise	80°C Max.	
Ambient Temperature Range	20°C~+50°C	
Insulation Resistance	100MΩ Min.50V DC	
Dielectric Strength	500V AC 1minute	
Radial Play	0.02mm Max.(450g Load)	
End Play	0.08mm Max.(450g Load)	
Rotation	CW (See from Front Flange)	

Main Technical Data:

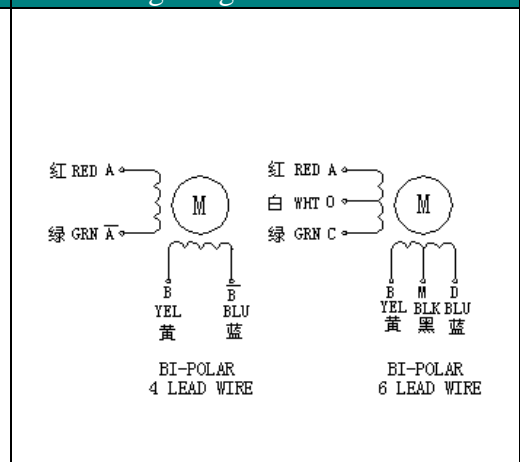
Model	Step Angle	Motor Length	Holding Torque	Lead Wire	Rated Current	Phase Resist.	Phase Inductance	Rotor Inertia	Detent Torque	Motor Weight
	(°)	(mm)	(N.m)	(NO.)	(A)	(Ω)	(mH)	(g.cm <sup>2</sup> )	(g.cm)	(Kg)
42BYGH201-01	1.8	34	0.095	6	0.16	75	55	34	200	0.2
42BYGH218	1.8	34	0.21	4	1.5	1.3	1.8	34	200	0.2
42BYGH607-01	1.8	40	0.45	4	0.8	10	20	54	220	0.24
42BYGH610-01	1.8	40	0.28	6	1.2	3	2.8	54	220	0.24
42BYGH701	1.8	44	0.3	4	0.1	213	360	50	250	0.3
42BYGH707B	1.8	44	0.35	4	1	4.4	9	50	250	0.3
42BYGH805-01	1.8	48	0.42	6	0.8	13.5	11.3	68	280	0.34
42BYGH810	1.8	48	0.45	4	1.2	3.2	5.6	68	280	0.34


**42BYGH xxx 内止口电机**

Outline Drawing:



Connecting Diagram:

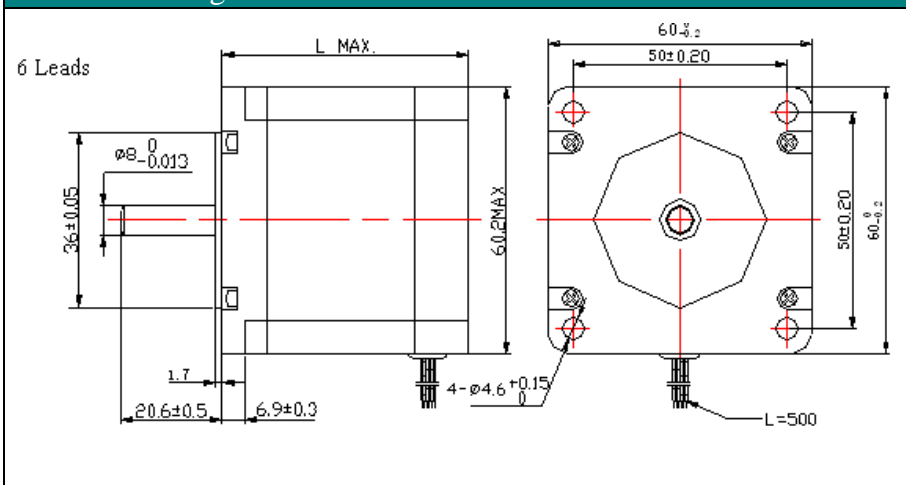


General Specifications		Model: 60BYGH
Step Accuracy	±5%	
Temperature Rise	80°C Max.	
Ambient Temperature Range	20°C~+50°C	
Insulation Resistance	100MΩ Min.50V DC	
Dielectric Strength	500V AC 1minute	
Radial Play	0.02mm Max.(450g Load)	
End Play	0.08mm Max.(450g Load)	
Rotation	CW (See from Front Flange)	

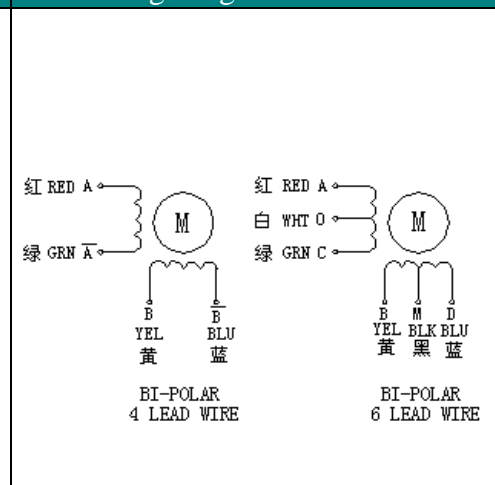
Main Technical Data:

Model	Step Angle	Motor Length	Holding Torque	Lead Wire	Rated Current	Phase Resistance	Phase Inductance	Rotor Inertia	Detent Torque	Motor Weight
	(°)	(mm)	(N.m)	(NO.)	(A)	(Ω)	(mH)	(g.cm <sup>2</sup> )	(g.cm)	(Kg)
60BYGH801A	1.8	87	1.25	6	2	2.8	6	570	0.4	1.34
60BYGH802	1.8	87	1.95	4	2.5	2	9.5	570	0.4	1.34
60BYGH803	1.8	87	1.13	6	1	10	19.5	570	0.4	1.34
60BYGH804	1.8	87	0.86	8	4	0.35	1	570	0.4	1.34


Outline Drawing:



Connecting Diagram:

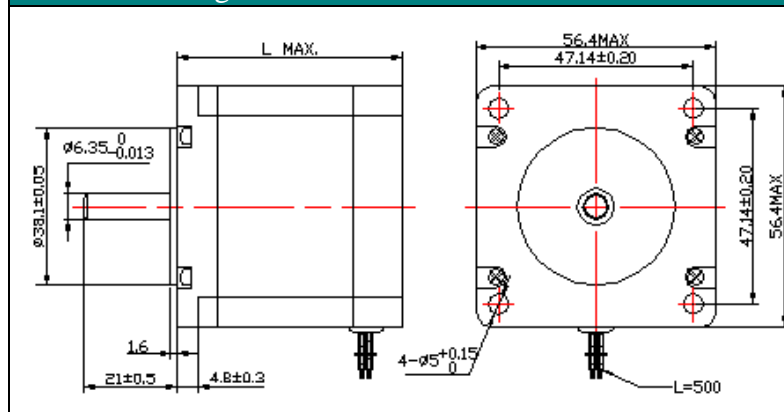
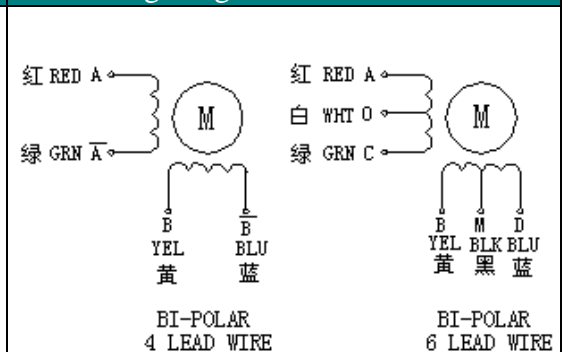





General Specifications		Model: 57BYGHM
Step Accuracy	±5%	
Temperature Rise	80°C Max.	
Ambient Temperature Range	20°C~+50°C	
Insulation Resistance	100MΩ Min.50V DC	
Dielectric Strength	500V AC 1minute	
Radial Play	0.02mm Max.(450g Load)	
End Play	0.08mm Max.(450g Load)	
Rotation	CW (See from Front Flange)	

**Main Technical Data:**

Model	Step Angle	Motor Length	Holding Torque	Lead Wire	Rated Current	Phase Resistance	Phase Inductance	Rotor Inertia	Detent Torque	Motor Weight
	(°)	(mm)	(N.m)	(NO.)	(A)	(Ω)	(mH)	(g.cm <sup>2</sup> )	(g.cm)	(Kg)
57BYGHM011	0.9	41	0.32	6	1	5.7	9	120	0.21	0.45
57BYGHM007	0.9	41	0.22	6	2	1.55	2.2	120	0.21	0.45
57BYGHM004-01	0.9	41	0.3	4	2.8	0.7	1.9	120	0.21	0.45
57BYGHM200	0.9	51	0.7	4	1	2.9	12	240	0.26	0.56
57BYGHM401	0.9	54	0.9	6	1	7.4	10	260	380	0.7
57BYGHM402-2	0.9	56	0.9	6	2	1.8	3.8	300	0.4	0.7
57BYGHM412	0.9	56	1	4	2.8	0.98	4	300	0.4	0.7
57BYGHM601	0.9	76	1.3	6	1	8.6	14	460	680	1
57BYGHM605	0.9	78	1.35	6	3	1	1.6	480	0.68	1
57BYGHM606	0.9	78	1.45	4	2	2.2	11.6	480	0.68	1

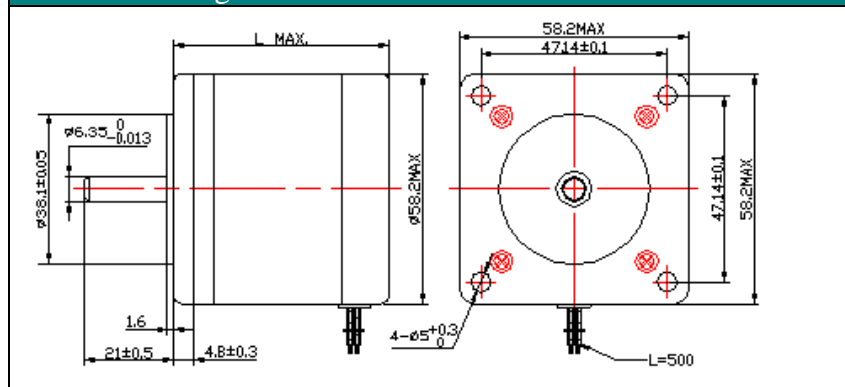
**Outline Drawing:**

**Connecting Diagram:**


General Specifications		Model: 57BYG
Step Accuracy	±5%	
Temperature Rise	80°C Max.	
Ambient Temperature Range	20°C~+50°C	
Insulation Resistance	100MΩ Min.50V DC	
Dielectric Strength	500V AC 1minute	
Radial Play	0.02mm Max.(450g Load)	
End Play	0.08mm Max.(450g Load)	
Rotation	CW (See from Front Flange)	

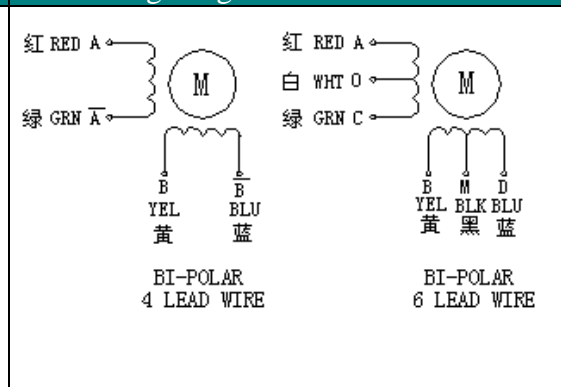
Main Technical Data:


Model	Step Angle	Motor Length	Holding Torque	Lead Wire	Rated Current	Phase Resistance	Phase Inductance	Rotor Inertia	Detent Torque	Motor Weight
	(°)	(mm)	(N.m)	(NO.)	(A)	(Ω)	(mH)	(g.cm <sup>2</sup> )	(g.cm)	(Kg)
57BYG001	1.8	41	0.39	6	0.38	32	30	57	0.18	0.35
57BYG003	1.8	41	0.3	6	0.6	20	18	57	0.18	0.35
57BYG006	1.8	41	0.3	6	1.1	3.6	4.1	57	0.18	0.35
57BYG201	1.8	51	0.5	6	0.3	80	97	110	0.35	0.5
57BYG214	1.8	51	0.49	6	1.3	3.1	4.4	110	0.35	0.5
57BYG223	1.8	51	0.62	4	2	1.3	3.8	110	0.35	0.5
57BYG402	1.8	57	0.6	6	0.6	20	30	145	500	0.6
57BYG405	1.8	57	0.6	6	1.2	5	8	135	0.42	0.65
57BYG410	1.8	57	0.58	6	2.4	1	1.7	135	0.42	0.65
57BYG601	1.8	76	0.6	6	0.6	20	22	200	0.72	0.9
57BYG606	1.8	76	0.9	6	1.5	3.6	6.2	200	0.72	0.95
57BYG610-01	1.8	76	0.86	6	2	1.68	3.5	200	0.72	0.95
57BYG100-001	1.8	100	1.2	4	2	1.05	4.5	300	0.95	1.25

Outline Drawing:



Connecting Diagram:

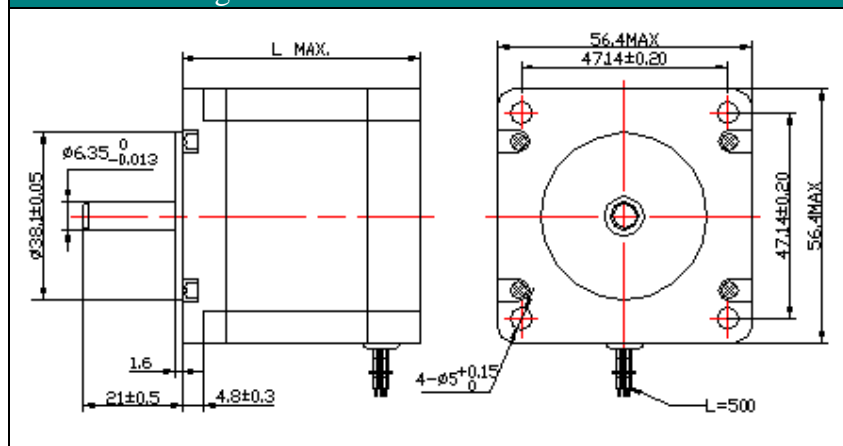


General Specifications		Model: 57BYGH
Step Accuracy	±5%	
Temperature Rise	80°C Max.	
Ambient Temperature Range	20°C~+50°C	
Insulation Resistance	100MΩ Min.50V DC	
Dielectric Strength	500V AC 1minute	
Radial Play	0.02mm Max.(450g Load)	
End Play	0.08mm Max.(450g Load)	
Rotation	CW (See from Front Flange)	

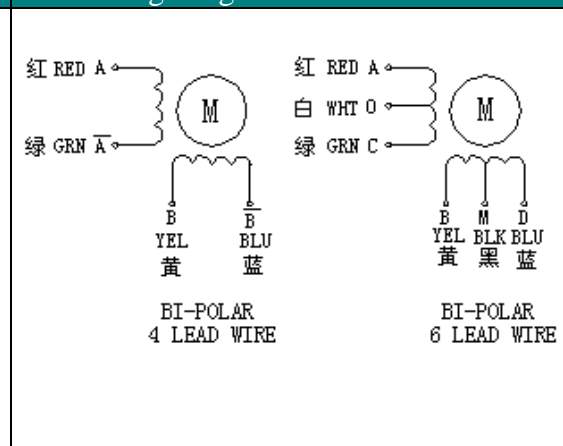
Main Technical Data:


Model	Step Angle	Motor Length	Holding Torque	Lead Wire	Rated Current	Phase Resistance	Phase Inductance	Rotor Inertia	Detent Torque	Motor Weight
	(°)	(mm)	(N.m)	(NO.)	(A)	(Ω)	(mH)	(g.cm <sup>2</sup> )	(g.cm)	(Kg)
57BYGH001A	1.8	41	0.35	4	0.5	12	23	120	0.21	0.45
57BYGH009A	1.8	41	0.39	6	1	5.7	6.5	120	0.21	0.45
57BYGH016A	1.8	41	0.35	6	2	1.4	1.6	120	0.21	0.45
57BYGH209	1.8	51	0.6	6	0.38	32	38	275	0.36	0.65
57BYGH206	1.8	51	0.72	6	1	6.6	8.2	275	0.36	0.65
57BYGH224	1.8	51	0.72	6	3	0.74	0.9	275	0.36	0.65
57BYGH401A	1.8	56	0.9	4	0.6	10	32	300	0.4	0.7
57BYGH406A	1.8	56	0.9	4	1	6.2	11	300	0.4	0.7
57BYGH436	1.8	56	0.9	6	3	0.8	1.2	300	0.4	0.7

Outline Drawing:



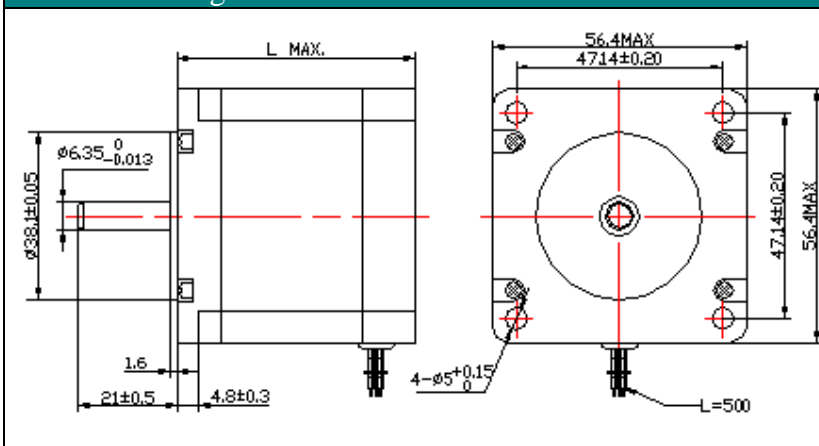
Connecting Diagram:



General Specifications		Model: 57BYGH
Step Accuracy	±5%	
Temperature Rise	80°C Max.	
Ambient Temperature Range	20°C~+50°C	
Insulation Resistance	100MΩ Min.50V DC	
Dielectric Strength	500V AC 1minute	
Radial Play	0.02mm Max.(450g Load)	
End Play	0.08mm Max.(450g Load)	
Rotation	CW (See from Front Flange)	

**Main Technical Data:**

Model	Step Angle	Motor Length	Holding Torque	Lead Wire	Rated Current	Phase Resist.	Phase Inductance	Rotor Inertia	Detent Torque	Motor Weight
	(°)	(mm)	(N.m)	(NO.)	(A)	(Ω)	(mH)	(g.cm <sup>2</sup> )	(g.cm)	(Kg)
57BYGH502	1.8	67	1	6	2	1.7	2.5	360	0.50	0.82
57BYGH603	1.8	78	1.6	6	1	8.6	18	480	0.68	1.00
57BYGH613	1.8	78	1.35	6	2	2.25	4.1	480	0.68	1.00
57BYGH646	1.8	78	1.4	6	4	0.7	1.5	480	0.68	1.00
57BYGH803	1.8	84	1.8	6	4	0.7	1.6	530	0.65	1.13
57BYGH804	1.8	84	1.8	4	6.6	0.2	1.2	530	0.65	1.13
57BYGH115-001	1.8	115	2.6	4	1	15.6	76	810	0.89	1.55
57BYGH115-007	1.8	115	2	6	4.2	1	2.1	810	0.89	1.55

**Outline Drawing:**

**Connecting Diagram:**
