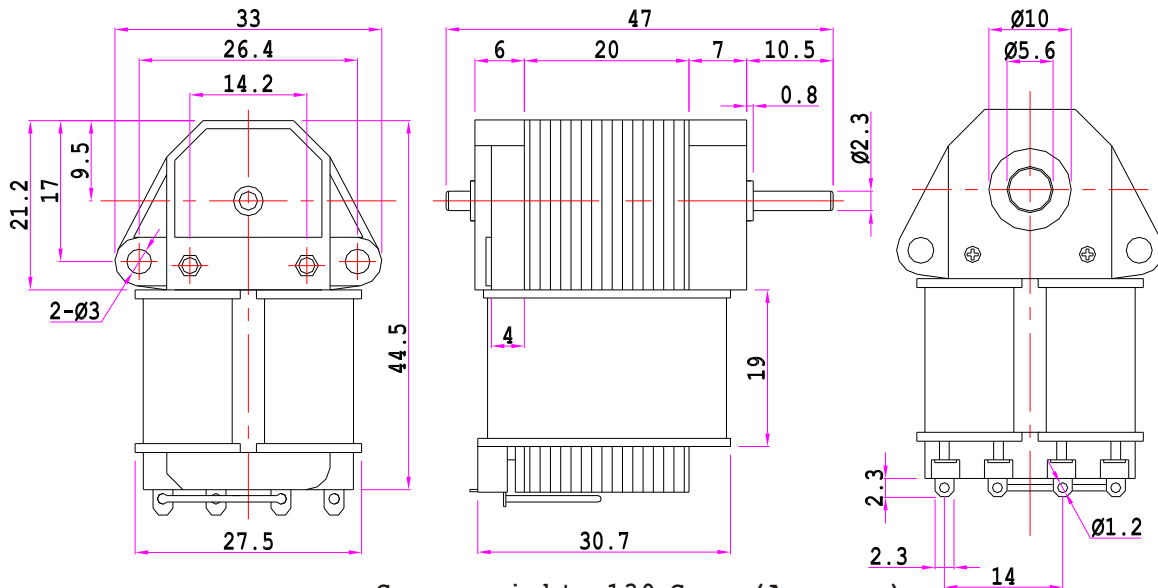




## Main Features

- 1) Voltage can be any during the range of 12V ~ 240VAC.
- 2) Stator height can be adjusted to different sizes as needed.
- 3) Motor rotation: freely. It can be CW or CCW. But if the customer needs it to turn just in one direction, we can add a directional plate. In this case, the motor rotation would be irreversible.
- 4) Long life (more than 8,000 hours), low temperature rising (less than 60K), low noise [less than 40dB(A)], high torque.
- 5) CE, UL & TUV Approved.

## Outline Drawing



Gross weight: 130 Gram (Approx.)

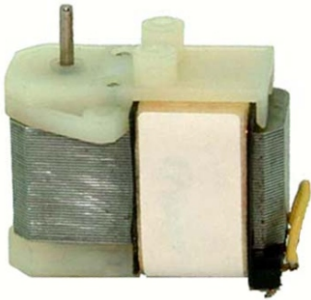
## Main Application

Mainly used for juicer.

## Specifications

MODEL	VOLTAGE (VAC)		FREQUENCY (HZ)	SPEED (rpm)	CURRENT (A)	OUTPUT (W)	STALL TORQUE		
	RANGE	NOMINAL					(g.cm)	(mNm)	(oz.in)
NSM-241PA-102850	100~230	230	50	3000	0.07	7.7	250	24.52	3.47
NSM-241PA-112700	220~240	230	50	3000	0.10	10.2	330	32.36	4.58
NSM-241PA-171100	100~120	120	60	3600	0.33	13.6	370	36.28	5.14
NSM-241PA-171150	100~120	120	60	3600	0.31	12.9	350	34.32	4.86

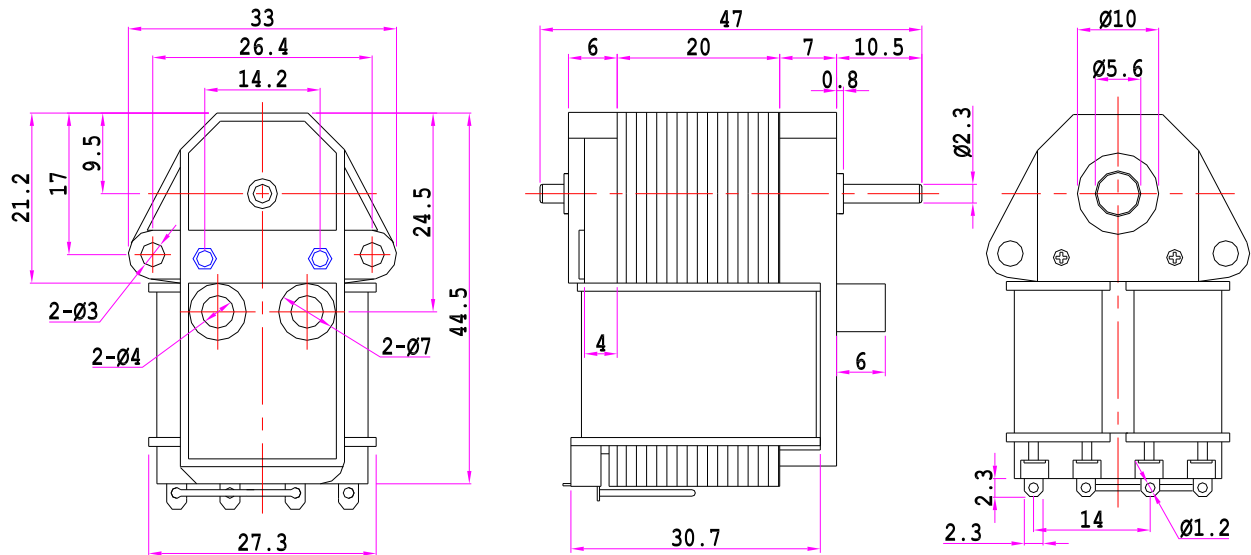
**Remarks: The above specifications are just for some typical models. Other specifications are welcome.**



### Main Features

- 1) Voltage can be any during the range of 12V ~ 240VAC.
- 2) Stator height can be adjusted to different sizes as needed.
- 3) Motor rotation: freely. It can be CW or CCW. But if the customer needs it to turn just in one direction, we can add a directional plate. In this case, the motor rotation would be irreversible.
- 4) Long life (more than 8,000 hours), low temperature rising (less than 60K), low noise [less than 40dB(A)], high torque.
- 5) CE, UL & TUV Approved.

### Outline Drawing



Gross weight: 130 Gram (Approx.)

### Main Application

Mainly used for juicer.

### Specifications

MODEL	VOLTAGE (VAC)		FREQUENCY (HZ)	SPEED (rpm)	CURRENT (A)	OUTPUT (W)	STALL TORQUE		
	RANGE	NOMINAL					(g.cm)	(mNm)	(oz.in)
NSM-241PB-102850	100~230	230	50	3000	0.07	7.7	250	24.52	3.47
NSM-241PB-112700	220~240	230	50	3000	0.10	10.2	330	32.36	4.58
NSM-241PB-171100	100~120	120	60	3600	0.33	13.6	370	36.28	5.14
NSM-241PB-171150	100~120	120	60	3600	0.31	12.9	350	34.32	4.86

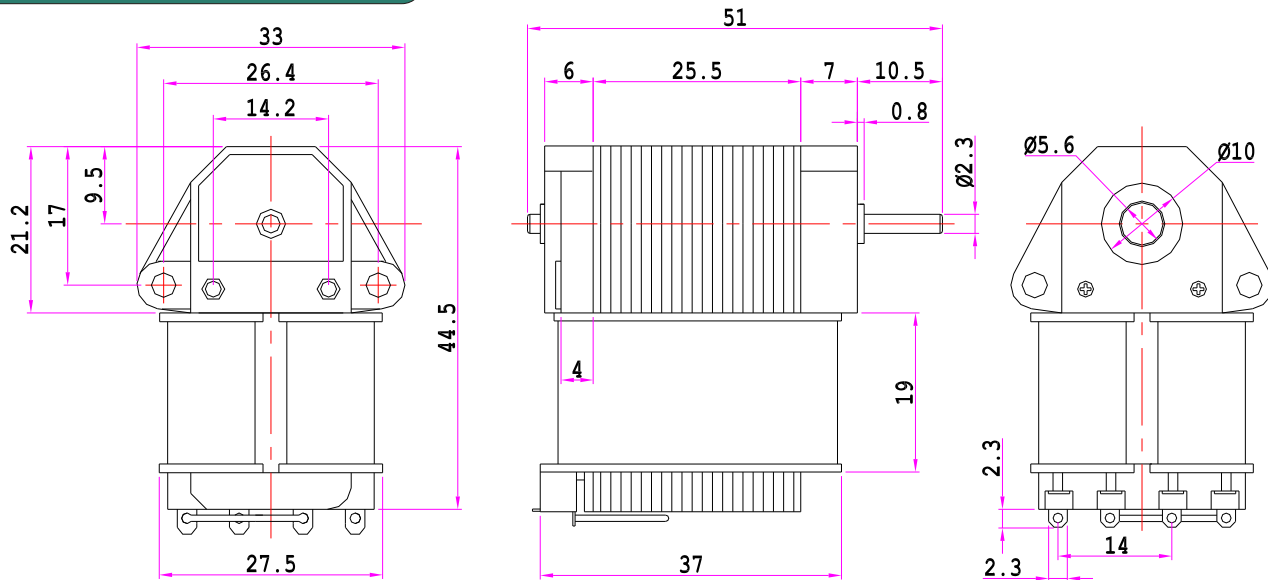
**Remarks: The above specifications are just for some typical models. Other specifications are welcome.**



### Main Features

- 1) Voltage can be any during the range of 12V ~ 240VAC.
- 2) Stator height can be adjusted to different sizes as needed.
- 3) Motor rotation: freely. It can be CW or CCW. But if the customer needs it to turn just in one direction, we can add a directional plate. In this case, the motor rotation would be irreversible.
- 4) Long life (more than 8,000 hours), low temperature rising (less than 60K), low noise [less than 40dB(A)], high torque.
- 5) CE, UL & TUV Approved.

### Outline Drawing



Gross weight: 135 Gram (Approx.)

### Main Application

Mainly used for juicer.

### Specifications

MODEL	VOLTAGE (VAC)		FREQUENCY (HZ)	SPEED (rpm)	CURRENT (A)	OUTPUT (W)	STALL TORQUE		
	RANGE	NOMINAL					(g.cm)	(mNm)	(oz.in)
NSM-241PA-102850	100~230	230	50	3000	0.07	7.7	250	24.52	3.47
NSM-241PA-112700	220~240	230	50	3000	0.10	10.2	330	32.36	4.58
NSM-241PA-171100	100~120	120	60	3600	0.33	13.6	370	36.28	5.14
NSM-241PA-171150	100~120	120	60	3600	0.31	12.9	350	34.32	4.86

*Remarks: The above specifications are just for some typical models. Other specifications are welcome.*