



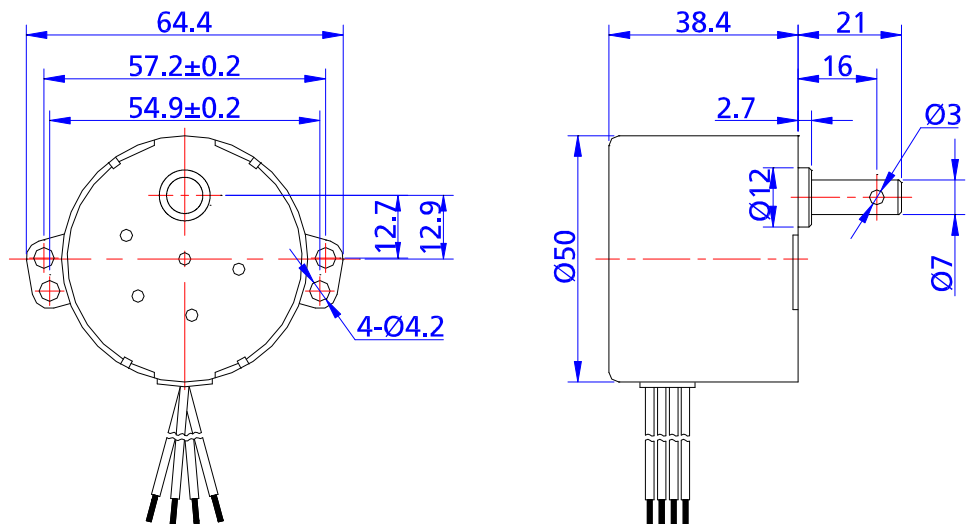
**Features:**

1. Shaft diameter is: Ø7.0mm. Shaft length and shape can be any as needed.
2. Reversible. Motor rotation direction can be either in CW or in CCW.
3. Low lifetime, low noise, Stable performance.
4. If customer needs higher torque, we can use the Nd-Fe-B magnet.
5. CE, UL, TUV approved.

**Main Applications:**

Mainly used for all kinds of Automatic Curtains, Stage Lights, Electric Machine, Automatic Electric Instruments and meters, etc.

**Outline Dimensions :**



**Performances of the Motor after Gear Reduction (@ 50Hz) :**

**General Specifications:**

1. **Rated Voltage:** 220 - 240 (can be any value during the range of 12 – 240 VAC).
2. **Rated Frequency:** 50Hz, 60Hz or 50/60Hz both.
3. **Rated Input Power:** 7.0 Watts (Max.)
4. **Rated Input Current:** 70mA (Max.) for 100-120VAC, or 35mA (Max.) for 220-240VAC.
5. **Noise Level:** 45dB(A) Max.
6. **Temperature Rise (ΔT):** 60K Max.
7. **Direction of Rotation:** CW or CCW (controlled by different connection method of the capacitor).
8. **Speed v.s. Torque:** see as following chart.

Speed	@ 50Hz	rpm	1.04	1.7	2.5	5	8	12.5	16.7	27.5	28.6	33	50	66.7	100	150
	@ 60Hz	rpm	1.25	2	3	6	9.6	15	20	33	34	40	60	80	120	180
Torque	@ 50Hz	Kg.cm	30.6	30.6	25.5	12.2	8.8	5.61	4.29	5.61	2.5	2.12	1.43	1.07	0.7	0.47
		N.cm	300	300	250	120	86	55	42	55	24.5	20.81	14	10.5	6.9	4.6
	@ 60Hz	Kg.cm	30.6	30.6	21.4	10.2	7.3	4.69	3.57	4.59	2.09	1.77	1.19	0.89	0.58	0.39
		N.cm	300	300	210	100	72	46	35	45	20.5	17.3	11.7	8.7	5.7	3.8

**Remarks:**

The above torque values refer to the minimum torque values.